



ELBOWS

www.eccomfg.com

INDEX

45° ELBOWS

26 Gauge	54
24 Gauge	54
22 Gauge	54
Die Formed Elbow Halves	56
Die Stamped 1-1/2 Centerline Welded Small End/Small End — E-45-1	57

90° ELBOWS

30 Gauge	52
28 Gauge	52
26 Gauge	52
24 Gauge	53
22 Gauge	53
1-1/2 Centerline Small End/Small End – 26 Gauge	53
1-1/2 Centerline Small End/Small End – 24 Gauge	54
Die Formed Elbow Halves	56
Die Stamped 1-1/2 Centerline Welded Small End/Small End — E-90-1	56

CUSTOM ELBOWS

55

ECCO is proud to be a member of:



ASHRAE
American Society of
Heating, Refrigeration, and
Air Conditioning Engineers, Inc.
www.ashrae.com



HRAI
Heating, Refrigerating
and Air Conditioning
Institute of Canada
www.hrai.ca



HARDI
Heating, Airconditioning &
Refrigeration Distributors
International
www.hardinet.org



SMACNA
Sheet Metal & Air
Conditioning Contractors
National Association Inc.
www.smacna.org



SPIDA
Spiral Duct
Manufacturers
Association
www.spida.org



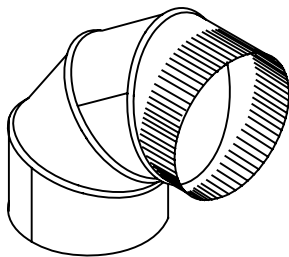
ELBOWS

ECCO
Manufactured
Products

90° ELBOWS — 30 GAUGE

STOCK #	SIZE	CTN/QTY	WT/100	PRICE/EA
120300	3" x 90°	20	35	\$ 6.09
120400	4" x 90°	50	55	6.09
120500	5" x 90°	50	70	5.77
120600	6" x 90°	20	90	8.04
120700	7" x 90°	12/Bdl	125	15.29
120800	8" x 90°	12/Bdl	175	16.02
120900	9" x 90°	8/Bdl	200	30.73
121000	10" x 90°	8/Bdl	250	28.34

90° ELBOWS — 28 GAUGE



90° Elbow

STOCK #	SIZE	CTN/QTY	WT/100	PRICE/EA
120428	4" x 90°	50	65	\$ 9.26
120528	5" x 90°	30	90	12.06
120628	6" x 90°	20	120	14.35
120728	7" x 90°	12/Bdl	150	17.73
120828	8" x 90°	12/Bdl	200	20.80
121028	10" x 90°	8/Bdl	300	33.07
121200	12" x 90°	4/Bdl	450	36.19
121400	14" x 90°	4/Bdl	600	49.87

90° ELBOWS — 26 GAUGE

STOCK #	SIZE	CTN/QTY	WT/100	PRICE/EA
540326	3" x 90°	20	55	\$ 12.32
540426	4" x 90°	50	80	12.79
540526	5" x 90°	30	105	13.36
540626	6" x 90°	20	135	16.33
540726	7" x 90°	12/Bdl	175	18.77
540826	8" x 90°	12/Bdl	225	22.46
540926	9" x 90°	8/Bdl	275	38.69
541026	10" x 90°	8/Bdl	325	37.18
541226	12" x 90°	4/Bdl	500	45.55
541426	14" x 90°	4/Bdl	650	52.78
541626	16" x 90°	2/Bdl	700	105.72
541826	18" x 90°	2/Bdl	950	117.94

Note: All Elbows are large end/small end unless otherwise specified.

- E.&O.E. - May not be in stock at all branches, if so please allow 10 days for delivery. -
- All Prices F.O.B. Our Warehouse - Subject to Change Without Notice - All Taxes Extra -

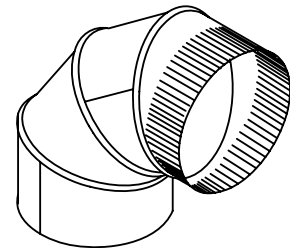


90° ELBOWS — 24 GAUGE

STOCK #	SIZE	CTN/QTY	WT/100	PRICE/EA
540524	5" × 90°	20	120	\$ 23.35
540624	6" × 90°	20	170	27.56
540724	7" × 90°	12/Bdl	200	30.68
540824	8" × 90°	12/Bdl	300	35.26
540924	9" × 90°	8/Bdl	375	51.32
541024	10" × 90°	8/Bdl	425	48.83
541224	12" × 90°	4/Bdl	625	59.28
541424	14" × 90°	4/Bdl	800	68.74
541624	16" × 90	2/Bdl	900	108.06
541824	18" × 90°	2/Bdl	1050	124.07
542024	20" × 90°	2/Bdl	1250	159.95

90° ELBOWS — 22 GAUGE

STOCK #	SIZE	BDL/QTY	WT/100	PRICE/EA
540822	8" × 90°	8	356	\$ 53.66
541022	10" × 90°	8	504	63.70
541222	12" × 90°	4	740	78.94
541422	14" × 90°	4	948	104.42
541622	16" × 90°	2	1066	130.62
541822	18" × 90°	2	1244	143.42
542022	20" × 90°	2	1481	184.08
542222	22" × 90°	2	1718	215.96
542422	24" × 90°	2	2015	234.00

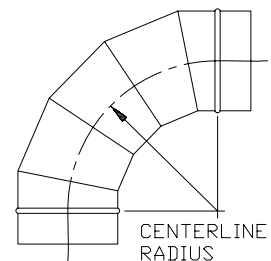


90° Elbow

Note: All Elbows are large end/small end unless otherwise specified.

**90° ELBOWS — 1-1/2 CENTERLINE SMALL END/SMALL END
(90° ELBOW 1-1/2 CL S/E-S/E) — 26 GAUGE**

STOCK #	SIZE	BDL/QTY	WT/100	PRICE/EA
548005	5" × 90°	—	190	\$ 131.35
548006	6" × 90°	—	250	189.90
548008	8" × 90°	—	410	204.05
548010	10" × 90°	—	610	255.11
548012	12" × 90°	—	840	266.45
548014	14" × 90°	—	1120	323.08



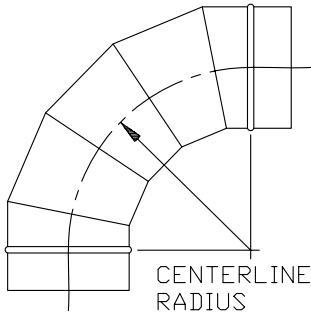
90° Elbow —
1-1/2 Centerline Small
End/Small End

– E.&O.E. – May not be in stock at all branches, if so please allow 10 days for delivery. –
– All Prices F.O.B. Our Warehouse – Subject to Change Without Notice – All Taxes Extra –



ELBOWS

ECCO
Manufactured
Products



90° Elbow —
1-1/2 Centerline Small
End/Small End

90° ELBOWS — 1-1/2 CENTERLINE SMALL END/SMALL END (90° ELBOW 1-1/2 CL S/E-S/E) — 24 GAUGE

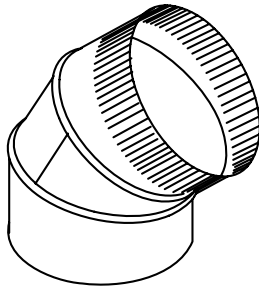
STOCK #	SIZE	BDL/QTY	WT/100	PRICE/EA
548016	16" × 90°	—	1820	\$ 448.55
548018	18" × 90°	—	2430	525.15
548020	20" × 90°	—	2960	590.67
548022	22" × 90°	—	3540	678.29
548024	24" × 90°	—	4180	787.70

45° ELBOWS — 26 GAUGE

STOCK #	SIZE	CTN/QTY	WT/100	PRICE/EA
543526	5" × 45°	40	78	\$ 18.30
543626	6" × 45°	25	99	19.03
543726	7" × 45°	8/Bdl	128	22.15
543826	8" × 45°	8/Bdl	162	25.27
543926	9" × 45°	8/Bdl	181	30.73

45° ELBOWS — 24 GAUGE

STOCK #	SIZE	BDL/QTY	WT/100	PRICE/EA
543524	5" × 45°	8	100	\$ 24.34
543624	6" × 45°	8	126	27.04
543724	7" × 45°	8	163	28.55
543824	8" × 45°	8	207	35.62
543924	9" × 45°	8	230	35.26
544024	10" × 45°	8	308	37.70
544224	12" × 45°	8	368	50.91
544424	14" × 45°	8	430	55.95



45° Elbow

45° ELBOWS — 22 GAUGE

STOCK #	SIZE	BDL/QTY	WT/100	PRICE/EA
544022	10" × 45°	8	375	\$ 41.39
544222	12" × 45°	8	448	56.16
544422	14" × 45°	8	523	71.40
544622	16" × 45°	4	746	91.57
544822	18" × 45°	4	837	102.60
545022	20" × 45°	4	1116	121.89
545222	22" × 45°	4	1362	170.20
545422	24" × 45°	4	1484	181.53

Note: All Elbows are large end/small end unless otherwise specified.

– E.&O.E. – May not be in stock at all branches, if so please allow 10 days for delivery. –
– All Prices F.O.B. Our Warehouse – Subject to Change Without Notice – All Taxes Extra –

CUSTOM ELBOWS

Manufactured to meet your specifications.

To help meet your specific requirements, our sales staff will need to know the pressure class or duct velocity of the system. We can then determine the gauge and construction details. Knowing the degree of the elbow in the pressure class or velocity will also determine the number of segments or gores required.

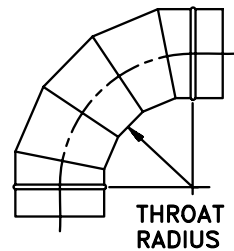
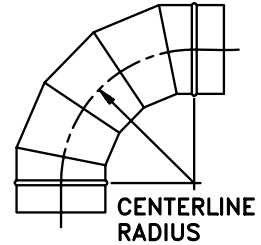
MITERED ELBOWS

DUCT VELOCITY	R/D RATIO CENTERLINE RADIUS TO DUCT DIAMETER	NUMBER OF MITERED PIECES		
		90°	60°	45°
Up to 1000 fpm	0.6	3	2	2
1001 to 1500 fpm	1.0	4	3	2
Above 1500 fpm	1.5	5	4	3

Source: SMACNA HVAC Duct Construction Standards.

Please specify when ordering:

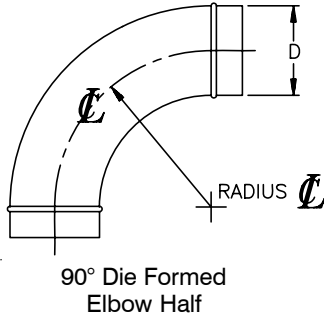
1. Diameter.
2. Degree Angle.
3. Radius (centerline or throat).
4. Gauge (thickness of material) or pressure class (WG).
5. Number of segments or gores (determined by and pressure class) (WG).
6. Material:
e.g.: Galvanized, Aluminum, Stainless Steel, PVC, etc.
7. Fitting Connection,
e.g.: big end/small end rule size;
small end/small end spiral size;
small end/big end spiral size;
big end over spiral/small end into spiral (blow pipe).
8. Construction — determined by pressure class (WG):
 - a) turned seam;
 - b) lap and spot;
 - c) lap and weld;
 - d) butt weld;
 - e) standing seam;
 - f) lap and spot with duct sealer;
 - g) standing seam with duct sealer.



TURNED SEAM	LAP AND SPOT	LAP AND WELD	BUTT WELD	STANDING SEAM

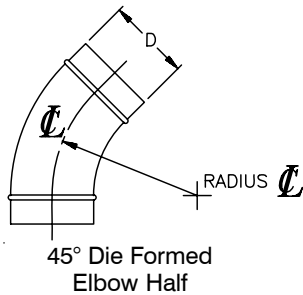
– E.&O.E. – May not be in stock at all branches, if so please allow 10 days for delivery. –
– All Prices F.O.B. Our Warehouse – Subject to Change Without Notice – All Taxes Extra –

90° DIE FORMED ELBOW HALVES



STOCK #	SIZE	CTN/QTY	WT/100	PRICE/PAIR
771390	3" × 90°	50	100	\$ 40.77
771490	4" × 90°	25	180	44.46
771590	5" × 90°	25	220	53.87
771690	6" × 90°	20	350	57.41
771790	7" × 90°	10	500	73.27
771890	8" × 90°	10	600	78.88
771090	10" × 90°	6	750	131.56
771290	12" × 90°	4	950	182.00

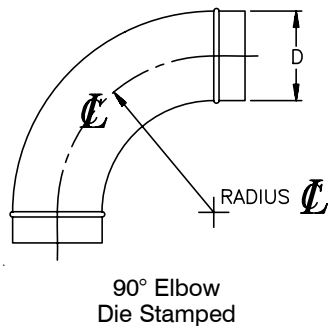
45° DIE FORMED ELBOW HALVES



STOCK #	SIZE	CTN/QTY	WT/100	PRICE/PAIR
773345	3" × 45°	50	70	\$ 37.34
773445	4" × 45°	50	130	38.22
773545	5" × 45°	35	143	39.52
773645	6" × 45°	25	240	40.51
773745	7" × 45°	20	250	49.14
773845	8" × 45°	20	350	57.41
781045	10" × 45°	8	450	88.97

Note: Fully welded Elbows are available. Price on application.

90° ELBOWS DIE STAMPED — 1-1/2 CENTERLINE — WELDED SMALL END/SMALL END — E-90-1



STOCK #	SIZE	GA	CTN/QTY	WT/100	PRICE/EA
548103	3" × 90°	24	—	80	\$ 71.03
548104	4" × 90°	24	—	140	74.31
548105	5" × 90°	24	—	180	74.31
548106	6" × 90°	24	—	220	83.82
548107	7" × 90°	24	—	350	104.78
548108	8" × 90°	22	—	470	121.42
548109	9" × 90°	22	—	610	146.80
548110	10" × 90°	22	—	760	164.32
548112	12" × 90°	22	—	1020	197.96

– E.&O.E. – May not be in stock at all branches, if so please allow 10 days for delivery. –
 – All Prices F.O.B. Our Warehouse – Subject to Change Without Notice – All Taxes Extra –

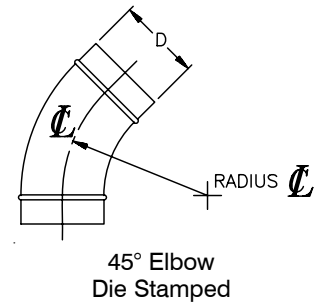


ELBOWS

ECCO
Manufactured
Products

45° ELBOWS DIE STAMPED — 1-1/2 CENTERLINE — WELDED SMALL END/SMALL END — E-45-1

STOCK #	SIZE	GA	CTN/QTY	WT/100	PRICE/EA
548203	3" × 45°	24	–	60	\$ 66.20
548204	4" × 45°	24	–	80	77.74
548205	5" × 45°	24	–	100	61.98
548206	6" × 45°	24	–	150	70.67
548207	7" × 45°	24	–	180	79.61
548208	8" × 45°	22	–	300	89.86
548209	9" × 45°	22	–	350	103.64
548210	10" × 45°	22	–	420	117.42
548212	12" × 45°	22	–	650	144.51



– E.&O.E. – May not be in stock at all branches, if so please allow 10 days for delivery. –
 – All Prices F.O.B. Our Warehouse – Subject to Change Without Notice – All Taxes Extra –

