



FLAT OVAL DUCT AND FITTINGS

www.eccomfg.com

INDEX

FITTINGS

Accessories	136
Crosses	136
Elbows	137
Gauge Selection	135
Laterals	136
Ordering	135
Tees	136
Transitions	135

FLAT OVAL DUCT — GALVANIZED

Gauge Chart	127
Lengths	127
Minor Axis 3" – 8"	128 – 129
Minor Axis 10" – 12"	129 – 130
Minor Axis 14" – 16"	131
Minor Axis 18" – 20"	132
Minor Axis 22" – 24"	133
Minor Axis 26"	134
Product and Construction Data	126
Profile Selection	127

ECCO is proud to be a member of:



ASHRAE
American Society of
Heating, Refrigeration, and
Air Conditioning Engineers, Inc.
www.ashrae.com



HRAI
Heating, Refrigerating
and Air Conditioning
Institute of Canada
www.hrai.ca



HARDI
Heating, Airconditioning &
Refrigeration Distributors
International
www.hardinet.org



SMACNA
Sheet Metal & Air
Conditioning Contractors
National Association Inc.
www.smacna.org



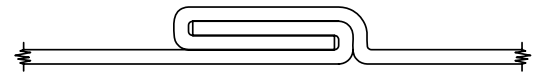
SPIDA
Spiral Duct
Manufacturers
Association
www.spida.org

GALVANIZED FLAT OVAL DUCT PRODUCT AND CONSTRUCTION DATA

- Flat oval duct is machine-made from round spiral lockseamed duct. The oval shape produces less of a flat surface therefore making it less susceptible to vibration than rectangular ducts which reduces the need for rod and angle iron reinforcement.
- Flat oval duct can be supplied in lengths of up to 12 feet, producing fewer joints to reduce friction loss and installation costs.
- The hanger installation details applicable to rectangular duct are generally applicable to flat oval duct.
- The equivalent round is used to find the friction loss.

FEATURES:

- Airtight 4-ply lockseam;
- Low friction loss;
- Light weight;
- Long lengths.



Flat Oval Duct

BASE MATERIALS:

- Aluminum;
- Cold rolled steel;
- Galvanized steel;
- Perforated steel;
- Polyvinyl chloride (PVC) coated steel;
- Pre-painted steel;
- Stainless steel;
- Wiped coat.

— E.&O.E. — May not be in stock at all branches, if so please allow 10 days for delivery. —
— All Prices F.O.B. Our Warehouse — Subject to Change Without Notice — All Taxes Extra —

GALVANIZED FLAT OVAL DUCT PROFILE

All the sizes in this catalogue are based on Type 2-LC profile which has two light reinforcing corrugations for added strength. It is light in weight, economical and will not develop excessive pressure losses at low velocities.



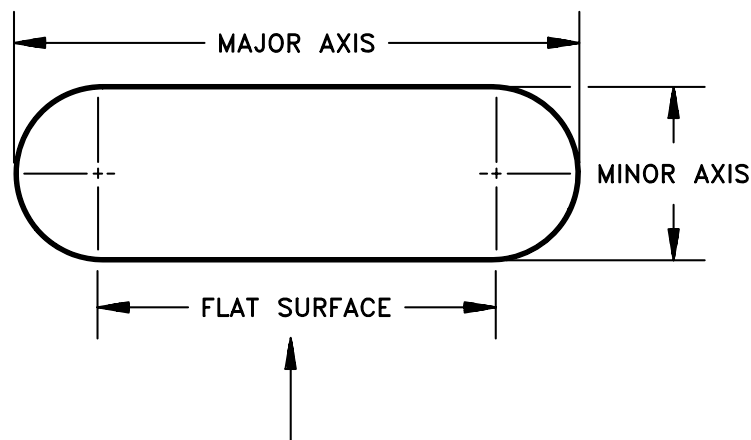
Flat Oval Duct

GALVANIZED FLAT OVAL DUCT LENGTHS

DUCT SIZE (")	MAXIMUM LENGTH
12 × 3 to 20 × 6	1 ft to 10 ft
22 × 6 to 80 × 26	1 ft to 12 ft

GALVANIZED FLAT OVAL DUCT GAUGE CHART TO 10" W.G.

MAJOR DIMENSION DUCT WIDTH (")	SPIRAL SEAM	FITTING GAUGE
To 24	24	20
30	22	20
36	22	20
42	22	18
48	22	18
54	20	18
60	20	18
66	20	16
71 and up	18	16



HANGER BASED ON FLAT SURFACE AREA, USING RECTANGULAR DUCT HANGER SPECIFICATIONS.

- E.&O.E. - May not be in stock at all branches, if so please allow 10 days for delivery. -
 - All Prices F.O.B. Our Warehouse - Subject to Change Without Notice - All Taxes Extra -



FLAT OVAL DUCT

GALVANIZED FLAT OVAL DUCT MINOR AXIS 3" – 8" FOR PRESSURE APPLICATIONS TO 10" W.G.

(Pricing will be based on Type 2-LC Profile.)

STOCK #	NOMINAL SIZE (")	WEIGHT GA (LBS/FT)	MAJOR AXIS (")	EQUIVALENT ROUND (")	SPIRAL USED (")	PRICE/FT
440312	12 × 3	24 3.05	12.4	6.4	9	P.O.A.
440314	14 × 3	24 3.39	14.0	6.7	10	P.O.A.
440315	16 × 3	24 3.73	15.6	7.0	11	P.O.A.
440317	17 × 3	24 4.07	17.1	7.3	12	P.O.A.
440413	14 × 4	24 3.39	15.6	7.5	10	P.O.A.
440415	15 × 4	24 3.73	15.1	8.0	11	P.O.A.
440416	17 × 4	24 4.07	16.5	8.3	12	P.O.A.
440418	18 × 4	24 4.41	18.2	8.7	13	P.O.A.
440420	20 × 4	24 4.74	19.7	9.0	14	P.O.A.
440513	13 × 5	24 3.39	12.9	8.3	10	P.O.A.
440514	15 × 5	24 3.73	14.5	8.8	11	P.O.A.
440516	16 × 5	24 4.07	16.0	9.3	12	P.O.A.
440517	18 × 5	24 4.41	17.6	9.8	13	P.O.A.
440519	19 × 5	24 4.74	19.1	10.0	14	P.O.A.
440521	21 × 5	24 5.09	20.8	10.5	15	P.O.A.
440612	12 × 6	24 3.39	12.3	9.0	10	P.O.A.
440614	14 × 6	24 3.73	13.9	9.5	11	P.O.A.
440615	15 × 6	24 4.07	15.4	10.0	12	P.O.A.
440617	17 × 6	24 4.41	17.1	10.5	13	P.O.A.
440619	19 × 6	24 4.74	18.6	11.0	14	P.O.A.
440620	20 × 6	24 5.09	20.2	11.5	15	P.O.A.
440622	22 × 6	24 5.42	21.8	11.8	16	P.O.A.
440625	25 × 6	22 7.43	25.0	12.5	18	P.O.A.
440628	28 × 6	22 8.25	28.1	13.2	20	P.O.A.
440632	31 × 6	22 9.08	31.4	13.8	22	P.O.A.
440635	35 × 6	22 9.91	34.5	14.3	24	P.O.A.
440638	38 × 6	22 10.73	37.7	14.9	26	P.O.A.
440641	41 × 6	22 11.56	40.8	15.4	28	P.O.A.
440644	44 × 6	22 12.38	43.9	15.9	30	P.O.A.
440647	47 × 6	22 13.21	47.2	16.3	32	P.O.A.
440650	50 × 6	22 14.03	50.4	16.7	34	P.O.A.
440653	53 × 6	22 14.87	53.5	17.1	36	P.O.A.
440813	13 × 8	24 3.73	12.8	10.5	11	P.O.A.
440814	14 × 8	24 4.07	14.4	11.2	12	P.O.A.
440816	16 × 8	24 4.41	15.9	11.7	13	P.O.A.
440818	18 × 8	24 4.74	17.5	12.3	14	P.O.A.
440819	19 × 8	24 5.09	19.1	12.9	15	P.O.A.
440821	21 × 8	24 5.42	20.7	13.5	16	P.O.A.
440824	24 × 8	24 6.10	23.9	14.4	18	P.O.A.

(cont'd on next page)

– E.&O.E. – May not be in stock at all branches, if so please allow 10 days for delivery. –
 – All Prices F.O.B. Our Warehouse – Subject to Change Without Notice – All Taxes Extra –



FLAT OVAL DUCT

ECCO
Manufactured
Products

GALVANIZED FLAT OVAL DUCT MINOR AXIS 3" – 8" FOR PRESSURE APPLICATIONS TO 10" W.G. (cont'd)

(Pricing will be based on Type 2-LC Profile.)

STOCK #	NOMINAL SIZE (")	GA	WEIGHT (LBS/FT)	MAJOR AXIS (")	EQUIVALENT ROUND (")	SPIRAL USED (")	PRICE/FT
440827	27 × 8	22	8.25	27.0	15.2	20	P.O.A.
440830	30 × 8	22	9.08	30.3	15.9	22	P.O.A.
440833	33 × 8	22	9.91	33.3	16.6	24	P.O.A.
440837	37 × 8	22	10.73	36.5	17.3	26	P.O.A.
440840	40 × 8	22	11.56	39.7	17.9	28	P.O.A.
440843	43 × 8	22	12.38	42.7	18.5	30	P.O.A.
440846	46 × 8	22	13.21	46.0	19.1	32	P.O.A.
440849	49 × 8	20	16.56	49.1	19.6	34	P.O.A.
440852	52 × 8	20	17.53	52.2	20.2	36	P.O.A.

GALVANIZED FLAT OVAL DUCT MINOR AXIS 10" – 12" FOR PRESSURE APPLICATIONS TO 10" W.G.

(Pricing will be based on Type 2-LC Profile.)

STOCK #	NOMINAL SIZE (")	GA	WEIGHT (LBS/FT)	MAJOR AXIS (")	EQUIVALENT ROUND (")	SPIRAL USED (")	PRICE/FT
441013	13 × 10	24	4.07	13.2	11.8	12	P.O.A.
441015	15 × 10	24	4.41	14.7	12.5	13	P.O.A.
441016	16 × 10	24	4.74	16.3	13.4	14	P.O.A.
441018	18 × 10	24	5.09	17.9	14.1	15	P.O.A.
441020	20 × 10	24	5.42	19.5	14.7	16	P.O.A.
441023	23 × 10	24	6.10	22.7	15.7	18	P.O.A.
441026	26 × 10	22	8.25	25.8	16.7	20	P.O.A.
441029	29 × 10	22	9.08	29.1	17.7	22	P.O.A.
441032	32 × 10	22	9.91	32.2	18.5	24	P.O.A.
441036	35 × 10	22	10.73	35.4	19.3	26	P.O.A.
441039	39 × 10	22	11.56	38.5	20.1	28	P.O.A.
441042	42 × 10	22	12.38	41.6	20.8	30	P.O.A.
441045	45 × 10	22	13.21	44.9	21.5	32	P.O.A.
441048	48 × 10	22	14.03	48.0	22.1	34	P.O.A.
441051	51 × 10	20	17.53	51.1	22.8	36	P.O.A.
441054	54 × 10	20	18.51	54.4	23.3	38	P.O.A.
441058	58 × 10	20	19.48	57.5	23.8	40	P.O.A.
441061	61 × 10	20	20.46	60.6	24.4	42	P.O.A.
441064	64 × 10	20	21.42	63.7	25.0	44	P.O.A.
441067	67 × 10	20	22.41	67.0	25.5	46	P.O.A.

(cont'd on next page)

– E.&O.E. – May not be in stock at all branches, if so please allow 10 days for delivery. –
 – All Prices F.O.B. Our Warehouse – Subject to Change Without Notice – All Taxes Extra –



FLAT OVAL DUCT

GALVANIZED FLAT OVAL DUCT MINOR AXIS 10" – 12" FOR PRESSURE APPLICATIONS TO 10" W.G. (cont'd)

(Pricing will be based on Type 2-LC Profile.)

STOCK #	NOMINAL SIZE (")	WEIGHT GA (LBS/FT)	MAJOR AXIS (")	EQUIVALENT ROUND (")	SPIRAL USED (")	PRICE/FT	
441070	70 × 10	20	23.36	70.0	26.0	48	P.O.A.
441073	73 × 10	18	32.95	73.4	26.4	50	P.O.A.
441076	77 × 10	18	34.27	76.5	27.0	52	P.O.A.
441215	15 × 12	24	4.74	15.2	13.8	14	P.O.A.
441218	18 × 12	24	5.42	18.4	15.3	16	P.O.A.
441221	22 × 12	24	6.10	21.6	16.7	18	P.O.A.
441225	25 × 12	22	8.25	24.7	18.0	20	P.O.A.
441228	28 × 12	22	9.08	28.0	19.1	22	P.O.A.
441231	31 × 12	22	9.91	31.0	20.1	24	P.O.A.
441234	34 × 12	22	10.73	34.2	20.9	26	P.O.A.
441238	37 × 12	22	11.56	37.4	21.9	28	P.O.A.
441241	41 × 12	22	12.38	40.5	22.7	30	P.O.A.
441244	44 × 12	22	13.21	43.7	23.5	32	P.O.A.
441247	47 × 12	22	14.03	46.8	24.3	34	P.O.A.
441250	50 × 12	20	17.53	49.9	25.0	36	P.O.A.
441253	53 × 12	20	18.51	53.2	25.7	38	P.O.A.
441256	56 × 12	20	19.48	56.4	26.3	40	P.O.A.
441260	60 × 12	20	20.46	59.5	26.9	42	P.O.A.
441263	63 × 12	20	21.42	62.6	27.5	44	P.O.A.
441266	66 × 12	20	22.41	65.9	28.1	46	P.O.A.
441269	69 × 12	20	23.36	68.9	28.7	48	P.O.A.
441272	72 × 12	18	32.95	72.2	29.2	50	P.O.A.
441276	75 × 12	18	34.27	75.3	29.7	52	P.O.A.
441279	79 × 12	18	35.59	78.5	30.4	54	P.O.A.

- E.&O.E. - May not be in stock at all branches, if so please allow 10 days for delivery. -
- All Prices F.O.B. Our Warehouse - Subject to Change Without Notice - All Taxes Extra -



FLAT OVAL DUCT

ECCO
Manufactured
Products

GALVANIZED FLAT OVAL DUCT MINOR AXIS 14" – 16" FOR PRESSURE APPLICATIONS TO 10" W.G.

(Pricing will be based on Type 2-LC Profile.)

STOCK #	NOMINAL SIZE (")	GA	WEIGHT (LBS/FT)	MAJOR AXIS (")	EQUIVALENT ROUND (")	SPIRAL USED (")	PRICE/FT
441417	17 × 14	24	5.42	17.3	16.0	16	P.O.A.
441420	20 × 14	24	6.10	20.4	17.5	18	P.O.A.
441423	24 × 14	24	6.78	23.5	18.9	20	P.O.A.
441427	27 × 14	22	9.08	26.9	20.2	22	P.O.A.
441430	30 × 14	22	9.91	29.9	21.3	24	P.O.A.
441433	33 × 14	22	10.73	33.1	22.4	26	P.O.A.
441436	36 × 14	22	11.56	36.2	23.4	28	P.O.A.
441440	39 × 14	22	12.38	39.3	24.4	30	P.O.A.
441443	43 × 14	22	13.21	42.6	25.3	32	P.O.A.
441446	46 × 14	22	14.63	45.7	26.1	34	P.O.A.
441449	49 × 14	20	17.53	48.8	26.9	36	P.O.A.
441452	52 × 14	20	18.51	52.1	27.7	38	P.O.A.
441455	55 × 14	20	19.48	55.2	28.4	40	P.O.A.
441458	58 × 14	20	20.46	58.4	29.1	42	P.O.A.
441462	61 × 14	20	21.42	61.4	29.8	44	P.O.A.
441465	65 × 14	20	22.41	64.8	30.5	46	P.O.A.
441468	68 × 14	20	23.36	67.7	31.1	48	P.O.A.
441471	71 × 14	18	32.95	71.1	31.7	50	P.O.A.
441475	74 × 14	18	34.27	74.2	32.3	52	P.O.A.
441477	77 × 14	18	35.59	77.3	32.9	54	P.O.A.
441481	81 × 14	18	36.90	80.5	33.6	56	P.O.A.
441626	26 × 16	22	9.08	25.7	21.0	22	P.O.A.
441629	29 × 16	22	9.91	28.7	22.3	24	P.O.A.
441632	32 × 16	22	10.73	32.0	23.5	26	P.O.A.
441635	35 × 16	22	11.56	35.1	24.7	28	P.O.A.
441638	38 × 16	22	12.38	38.2	25.7	30	P.O.A.
441642	41 × 16	22	13.21	41.4	26.8	32	P.O.A.
441645	45 × 16	22	14.03	44.6	27.7	34	P.O.A.
441648	48 × 16	22	14.87	47.6	28.6	36	P.O.A.
441651	51 × 16	20	18.51	50.9	29.4	38	P.O.A.
441654	54 × 16	20	19.48	54.1	30.2	40	P.O.A.
441657	57 × 16	20	20.46	57.2	31.0	42	P.O.A.
441660	60 × 16	20	21.42	60.3	31.8	44	P.O.A.
441664	64 × 16	20	22.41	63.6	32.5	46	P.O.A.
441667	67 × 16	20	23.36	66.6	33.3	48	P.O.A.
441670	70 × 16	20	24.37	70.0	34.1	50	P.O.A.
441673	73 × 16	18	34.27	73.1	34.6	52	P.O.A.
441676	76 × 16	18	35.59	76.2	35.3	54	P.O.A.
441679	79 × 16	18	36.90	79.3	35.9	56	P.O.A.

– E.&O.E. – May not be in stock at all branches, if so please allow 10 days for delivery. –
 – All Prices F.O.B. Our Warehouse – Subject to Change Without Notice – All Taxes Extra –



FLAT OVAL DUCT

GALVANIZED FLAT OVAL DUCT MINOR AXIS 18" – 20" FOR PRESSURE APPLICATIONS TO 10" W.G.

(Pricing will be based on Type 2-LC Profile.)

STOCK #	NOMINAL SIZE (")	WEIGHT GA (LBS/FT)	MAJOR AXIS (")	EQUIVALENT ROUND (")	SPIRAL USED (")	PRICE/FT
441828	28 × 18	22 9.91	27.6	23.1	24	P.O.A.
441831	31 × 18	22 10.73	30.8	24.5	26	P.O.A.
441834	34 × 18	22 11.56	33.9	25.7	28	P.O.A.
441837	37 × 18	22 12.38	37.0	27.0	30	P.O.A.
441840	40 × 18	22 13.21	40.3	28.1	32	P.O.A.
441844	43 × 18	22 14.03	43.4	29.1	34	P.O.A.
441847	47 × 18	22 14.87	46.5	30.2	36	P.O.A.
441850	50 × 18	20 18.51	49.8	31.1	38	P.O.A.
441853	53 × 18	20 19.48	52.9	32.0	40	P.O.A.
441856	56 × 18	20 20.46	56.1	32.9	42	P.O.A.
441859	59 × 18	20 21.42	59.2	33.7	44	P.O.A.
441862	63 × 18	20 22.41	62.5	34.5	46	P.O.A.
441866	65 × 18	20 23.36	65.4	35.4	48	P.O.A.
441869	69 × 18	20 24.37	68.8	36.0	50	P.O.A.
441872	72 × 18	18 34.27	71.9	36.5	52	P.O.A.
441875	75 × 18	18 35.59	75.0	37.5	54	P.O.A.
441878	78 × 18	18 36.90	78.2	38.1	56	P.O.A.
441881	81 × 18	18 38.22	81.4	38.8	58	P.O.A.
442027	27 × 20	22 9.91	26.5	23.6	24	P.O.A.
442030	30 × 20	22 10.73	29.7	25.2	26	P.O.A.
442033	33 × 20	22 11.56	32.8	26.6	28	P.O.A.
442036	36 × 20	22 12.38	35.9	28.0	30	P.O.A.
442039	39 × 20	22 13.21	39.1	29.2	32	P.O.A.
442042	42 × 20	22 14.03	42.3	30.3	34	P.O.A.
442046	45 × 20	22 14.87	45.4	31.5	36	P.O.A.
442049	49 × 20	20 18.51	48.6	32.5	38	P.O.A.
442052	52 × 20	20 19.48	51.8	33.5	40	P.O.A.
442055	55 × 20	20 20.46	54.9	34.4	42	P.O.A.
442058	58 × 20	20 21.42	58.0	35.5	44	P.O.A.
442061	61 × 20	20 22.41	61.3	36.2	46	P.O.A.
442064	64 × 20	20 23.36	64.3	37.1	48	P.O.A.
442068	68 × 20	20 24.37	67.7	38.0	50	P.O.A.
442071	71 × 20	18 34.27	70.8	38.5	52	P.O.A.
442074	74 × 20	18 35.59	73.9	39.5	54	P.O.A.
442077	77 × 20	18 36.90	77.1	40.2	56	P.O.A.
442080	80 × 20	18 38.22	80.2	40.4	58	P.O.A.

– E.&O.E. – May not be in stock at all branches, if so please allow 10 days for delivery. –
– All Prices F.O.B. Our Warehouse – Subject to Change Without Notice – All Taxes Extra –



FLAT OVAL DUCT

ECCO
Manufactured
Products

GALVANIZED FLAT OVAL DUCT MINOR AXIS 22" – 24" FOR PRESSURE APPLICATIONS TO 10" W.G.

(Pricing will be based on Type 2-LC Profile.)

STOCK #	NOMINAL SIZE (")	GA	WEIGHT (LBS/FT)	MAJOR AXIS (")	EQUIVALENT ROUND (")	SPIRAL USED (")	PRICE/FT
442231	32 × 22	22	11.56	31.7	27.2	28	P.O.A.
442235	35 × 22	22	12.38	34.8	28.7	30	P.O.A.
442238	38 × 22	22	13.21	38.0	30.0	32	P.O.A.
442241	41 × 22	22	14.03	41.1	31.3	34	P.O.A.
442244	44 × 22	22	14.87	44.2	32.5	36	P.O.A.
442247	48 × 22	22	15.69	47.5	33.7	38	P.O.A.
442250	51 × 22	20	19.48	50.7	34.8	40	P.O.A.
442253	54 × 22	20	20.46	53.8	35.8	42	P.O.A.
442257	57 × 22	20	21.42	56.9	36.7	44	P.O.A.
442260	60 × 22	20	22.41	60.2	37.8	46	P.O.A.
442263	63 × 22	20	23.36	63.2	38.7	48	P.O.A.
442266	67 × 22	20	24.37	66.5	39.6	50	P.O.A.
442269	70 × 22	20	25.34	69.6	40.4	52	P.O.A.
442272	73 × 22	18	35.59	72.8	41.1	54	P.O.A.
442276	76 × 22	18	36.90	75.9	42.2	56	P.O.A.
442279	79 × 22	18	38.22	79.1	42.9	58	P.O.A.
442430	31 × 24	22	11.56	30.5	28.1	28	P.O.A.
442434	34 × 24	22	12.38	36.9	30.8	30	P.O.A.
442437	37 × 24	22	13.21	36.9	30.8	32	P.O.A.
442440	40 × 24	22	14.03	40.0	32.2	34	P.O.A.
442443	43 × 24	22	14.87	43.1	33.5	36	P.O.A.
442446	46 × 24	22	15.69	46.4	34.7	38	P.O.A.
442449	50 × 24	20	19.48	49.3	35.9	40	P.O.A.
442453	53 × 24	20	20.46	52.6	37.0	42	P.O.A.
442456	56 × 24	20	21.42	55.7	38.1	44	P.O.A.
442459	59 × 24	20	22.41	59.1	39.2	46	P.O.A.
442463	62 × 24	20	23.36	62.0	40.1	48	P.O.A.
442466	65 × 24	20	24.37	65.4	41.1	50	P.O.A.
442469	69 × 24	20	25.34	68.5	42.0	52	P.O.A.
442471	72 × 24	18	35.59	71.6	43.1	54	P.O.A.
442474	75 × 24	18	36.90	74.8	43.9	56	P.O.A.
442478	78 × 24	18	38.22	78.0	44.7	58	P.O.A.
442481	81 × 24	18	39.54	80.6	45.6	60	P.O.A.

– E.&O.E. – May not be in stock at all branches, if so please allow 10 days for delivery. –
– All Prices F.O.B. Our Warehouse – Subject to Change Without Notice – All Taxes Extra –



FLAT OVAL DUCT

GALVANIZED FLAT OVAL DUCT MINOR AXIS 26" FOR PRESSURE APPLICATIONS TO 10" W.G.

(Pricing will be based on Type 2-LC Profile.)

STOCK #	NOMINAL SIZE (")	WEIGHT GA (LBS/FT)	MAJOR AXIS (")	EQUIVALENT ROUND (")	SPIRAL USED (")	PRICE/FT
442636	36 × 26	22 13.21	35.8	31.5	32	P.O.A.
442639	39 × 26	22 14.03	38.9	33.0	34	P.O.A.
442642	42 × 26	22 14.87	42.1	34.4	36	P.O.A.
442645	45 × 26	22 15.69	45.3	35.8	38	P.O.A.
442648	48 × 26	22 16.50	48.4	37.1	40	P.O.A.
442652	52 × 26	20 20.46	51.6	38.3	42	P.O.A.
442655	55 × 26	20 21.42	54.8	39.5	44	P.O.A.
442658	58 × 26	20 22.41	57.9	40.6	46	P.O.A.
442661	61 × 26	20 23.36	61.1	41.6	48	P.O.A.
442664	64 × 26	20 24.37	64.2	42.7	50	P.O.A.
442667	67 × 26	20 25.34	67.4	43.7	52	P.O.A.
442671	71 × 26	18 35.59	70.6	44.6	54	P.O.A.
442674	74 × 26	18 36.90	73.7	45.6	56	P.O.A.
442677	77 × 26	18 38.22	76.9	46.5	58	P.O.A.
442680	80 × 26	18 39.54	79.5	47.5	60	P.O.A.

- E.&O.E. - May not be in stock at all branches, if so please allow 10 days for delivery. -
- All Prices F.O.B. Our Warehouse - Subject to Change Without Notice - All Taxes Extra -

GALVANIZED FLAT OVAL DUCT FITTINGS

ECCO fabricated Flat Oval Duct fittings are produced from galvanized steel meeting SMACNA HVAC Duct Construction Standards.

When ordering:

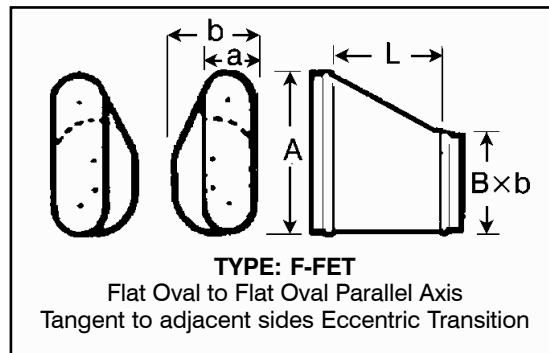
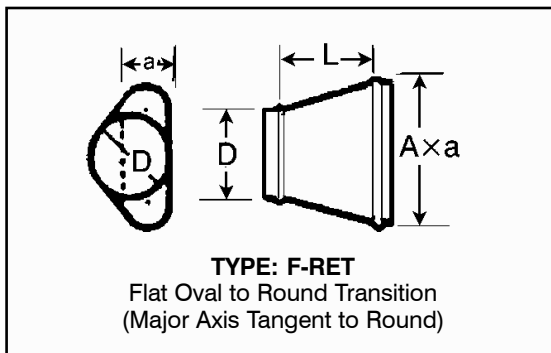
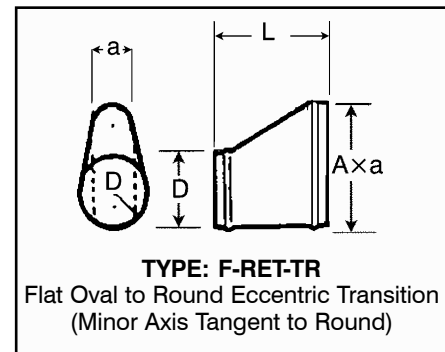
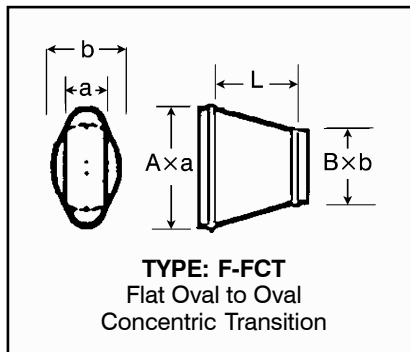
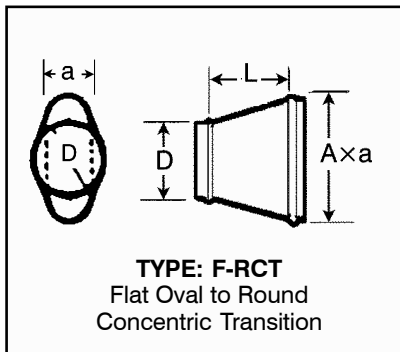
- Specify type and list all dimensions.
- Describe any variations from standard.
- Standard end connection shall be 2" in length and is considered to be the sleeve for slip joint assembly of flat oval duct to fittings.

Note: With reference to the drawings, capital letters denote major axis while small letters denote minor axis.

GALVANIZED FLAT OVAL DUCT FITTINGS GAUGE SCHEDULE

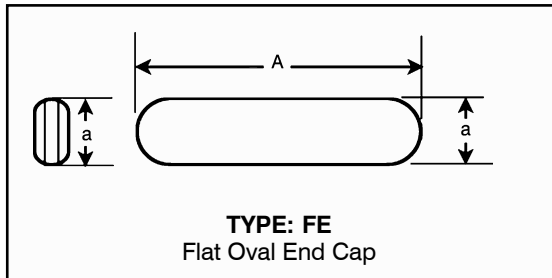
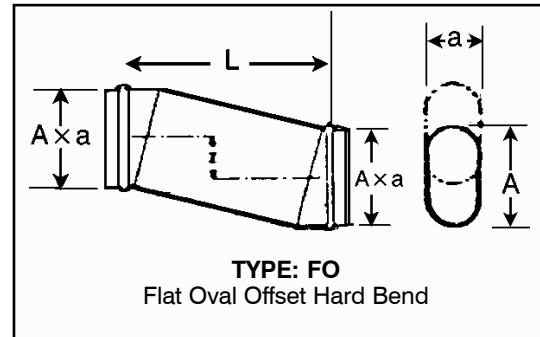
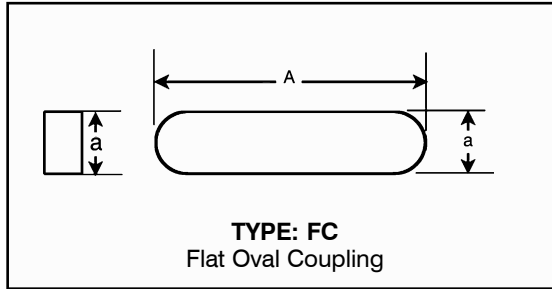
MAJOR AXIS DUCT WIDTH	GAUGE OF FITTINGS
— to 36"	20
37" thru 60"	18
61" and up	16

TRANSITIONS



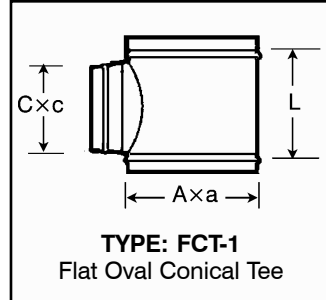
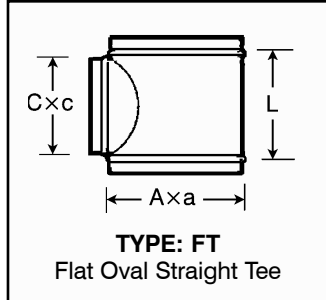
– E.&O.E. – May not be in stock at all branches, if so please allow 10 days for delivery. –
– All Prices F.O.B. Our Warehouse – Subject to Change Without Notice – All Taxes Extra –

ACCESSORY FITTINGS

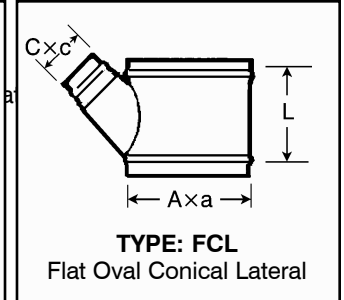
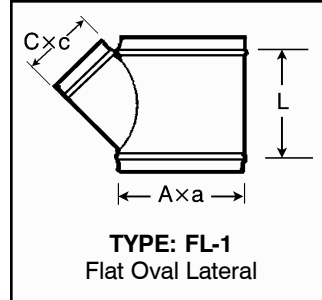


FLAT OVAL DUCT FITTINGS

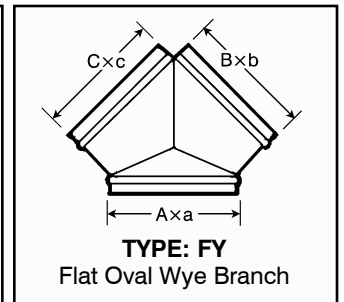
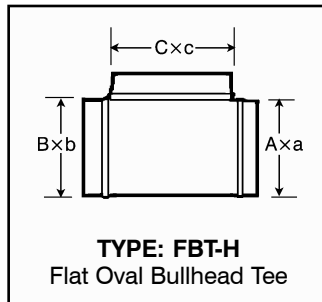
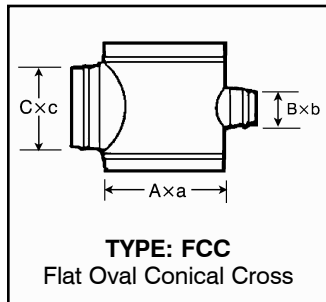
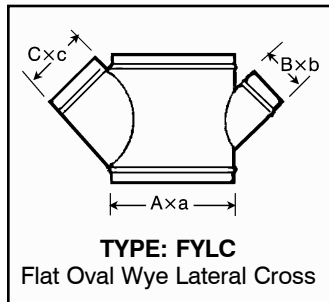
Tees



Laterals



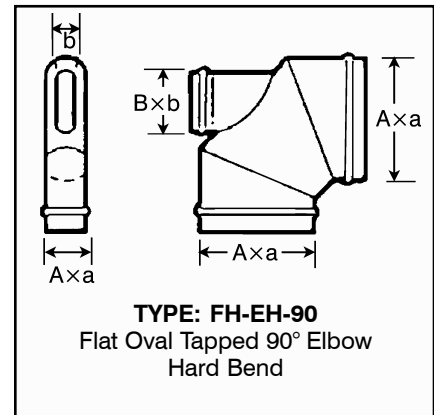
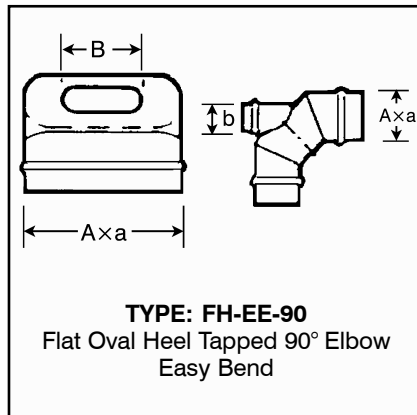
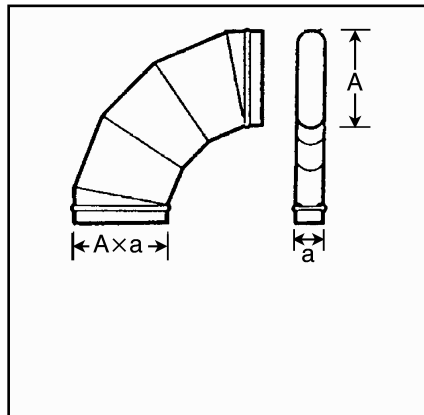
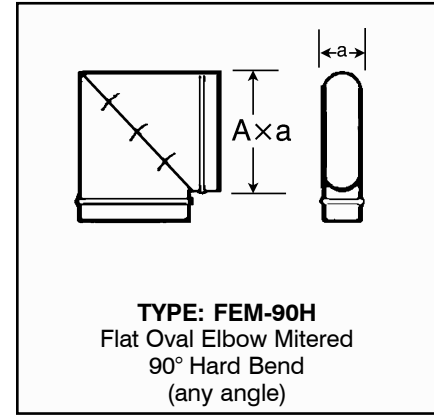
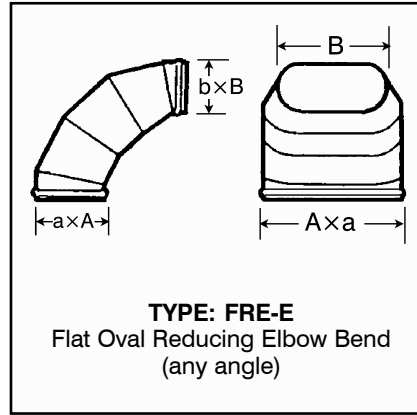
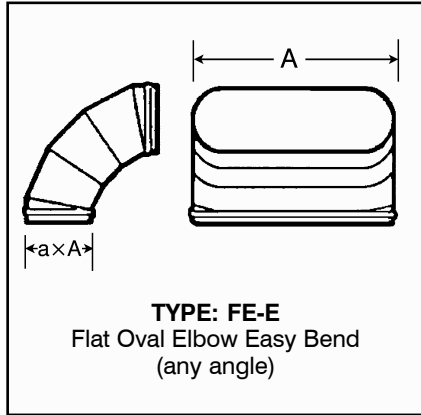
Crosses



- E.&O.E. - May not be in stock at all branches, if so please allow 10 days for delivery. -
- All Prices F.O.B. Our Warehouse - Subject to Change Without Notice - All Taxes Extra -

FLAT OVAL DUCT FITTINGS (cont'd)

Elbows



- E.&O.E. - May not be in stock at all branches, if so please allow 10 days for delivery. -
- All Prices F.O.B. Our Warehouse - Subject to Change Without Notice - All Taxes Extra -

