



LOUVERS AND DAMPERS

www.eccomfg.com

INDEX

BALANCING DAMPERS	141
LOUVERS AND BACKDRAFT DAMPERS	140
LOUVERED PENTHOUSES	142
SPECIALTY DAMPERS AND LOUVERS	143

ECCO is proud to be a member of:



ASHRAE

American Society of Heating, Refrigeration, and Air Conditioning Engineers, Inc. www.ashrae.com



HRAI

Heating, Refrigerating and Air Conditioning Institute of Canada www.hrai.ca



HARDI

Heating, Airconditioning & Refrigeration Distributors International www.hardinet.org



SMACNA

Sheet Metal & Air Conditioning Contractors National Association Inc. www.smacna.org



SPIDA

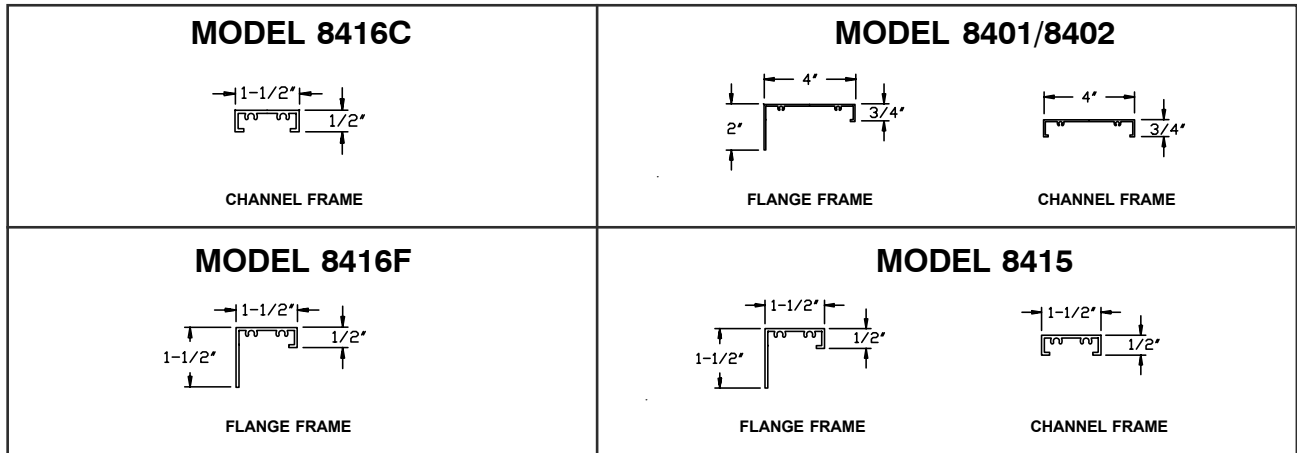
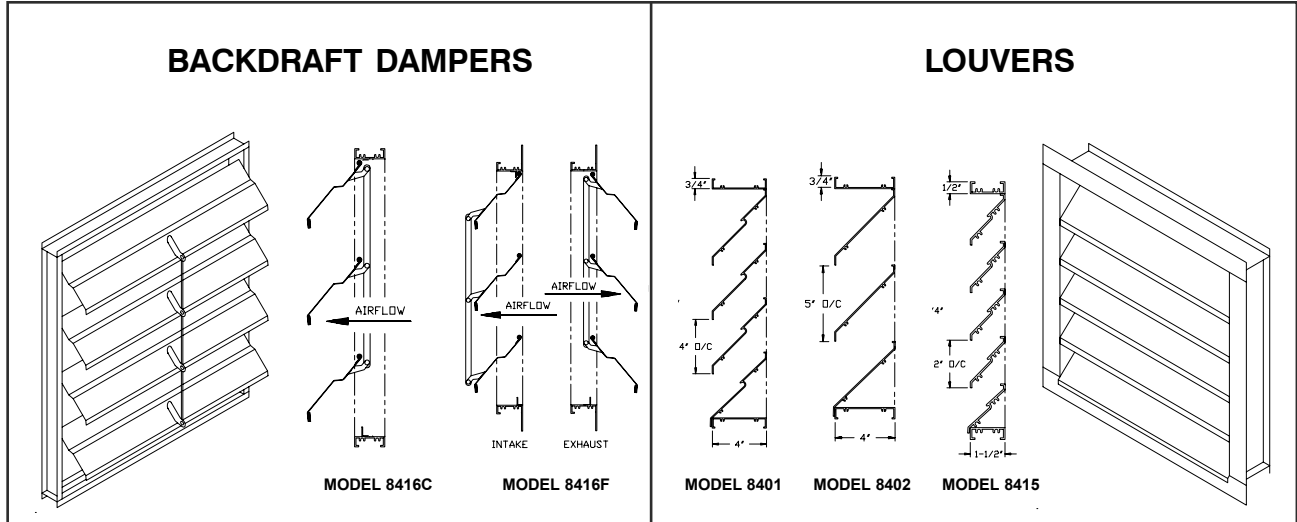
Spiral Duct Manufacturers Association www.spida.org



LOUVERS AND DAMPERS

ECCO
Manufactured
Products

LOUVERS AND BACKDRAFT DAMPERS



SPECIFY FOR ORDERING

- Flange or Channel Frame
- 4" or 2" Deep
- Blade Type, eg.: 8401 — Weather Blade Intake
8402 — Straight Blade Exhaust

ALLOY

Model 8401/8402 Alcan 6063 — T5 Extruded Aluminum .080
Model 8415/8416 Alcan 6063 — T5 Extruded Aluminum .070

BLADES

Fixed at 45°, Secured with Cadmium Plated Screws (welding optional)

SCREEN

16 Gauge 1/2" × 1/2" Galvanized Screen, Fixed to Rear of Louver with Cadmium Plated Screws

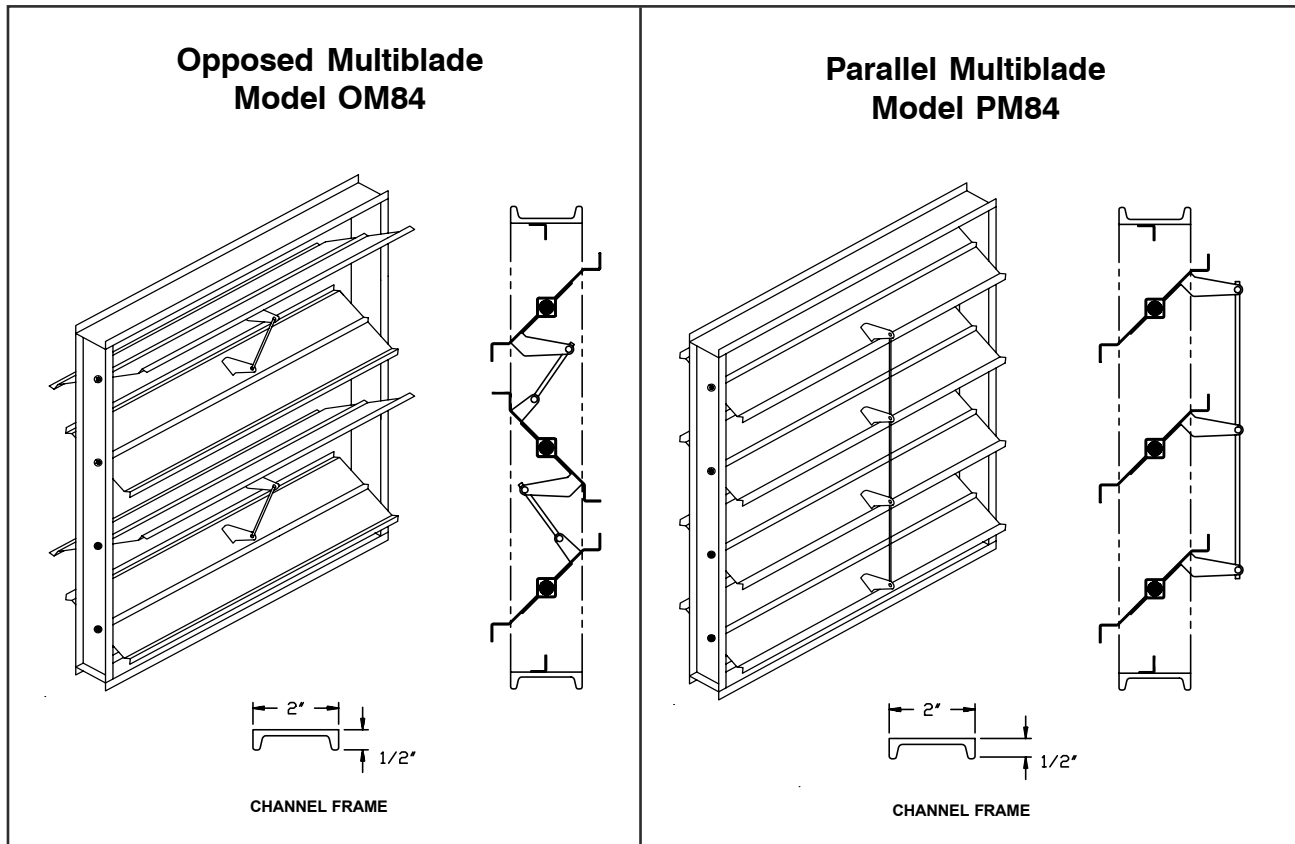
FINISH

Standard — Mill Finish

***** PRICE ON APPLICATION *****

— E.&O.E. — May not be in stock at all branches, if so please allow 10 days for delivery. —
— All Prices F.O.B. Our Warehouse — Subject to Change Without Notice — All Taxes Extra —

BALANCING DAMPERS



- BLADES** Up to 18" Wide — 20 Gauge
Over 18" Wide — 16 Gauge
- FINISH** Standard — Prime Coat
- FRAMES** 1/2" x 2" x 1/2" Welded Steel Channel
- BEARINGS** Standard — Pressed Oilite Bronze Bushings
Optional — Ball Bearings or Nylon Bushings
- LINKAGE** Blades Interconnected with 1/4" Rod, Duro Dyne Hardware
- OPERATION** Standard — Extended Shaft for Control (manual or automatic)
- SIZES** Blades maximum 10" wide x 48" long
Supplied in multiples to suit all openings

***** PRICE ON APPLICATION *****

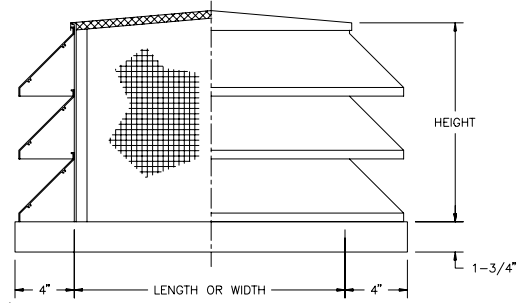
- E.&O.E. - May not be in stock at all branches, if so please allow 10 days for delivery. -
- All Prices F.O.B. Our Warehouse - Subject to Change Without Notice - All Taxes Extra -

LOUVERED PENTHOUSES

Mitred Corner Penthouse

General Data

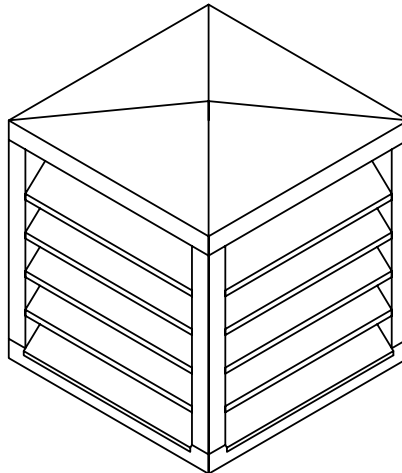
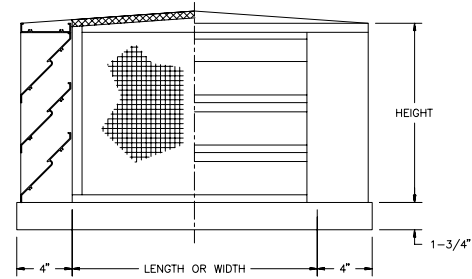
The Mitred Corner Penthouse is available with the three styles of louver blades: 8401, 8402, and 8415. Welded and mitred corners provide an attractive horizontal line. Blades and sills are manufactured from extruded aluminum 6063-T5; minimum cross section .081" (2 mm). The .081 (2 mm) formed aluminum roof is lined with a 1/2" (13 mm) fiberglass insulation and vapour barrier.



Mullion Corner Penthouse

General Data

Available in the three styles of louver blades: 8401, 8402, and 8415. Structural frame and mullion corners provide an exceptionally strong structure where heavy snow loads are a critical factor. The .081 (2 mm) formed aluminum roof is lined with a 1/2" (13 mm) fiberglass insulation and vapour barrier.



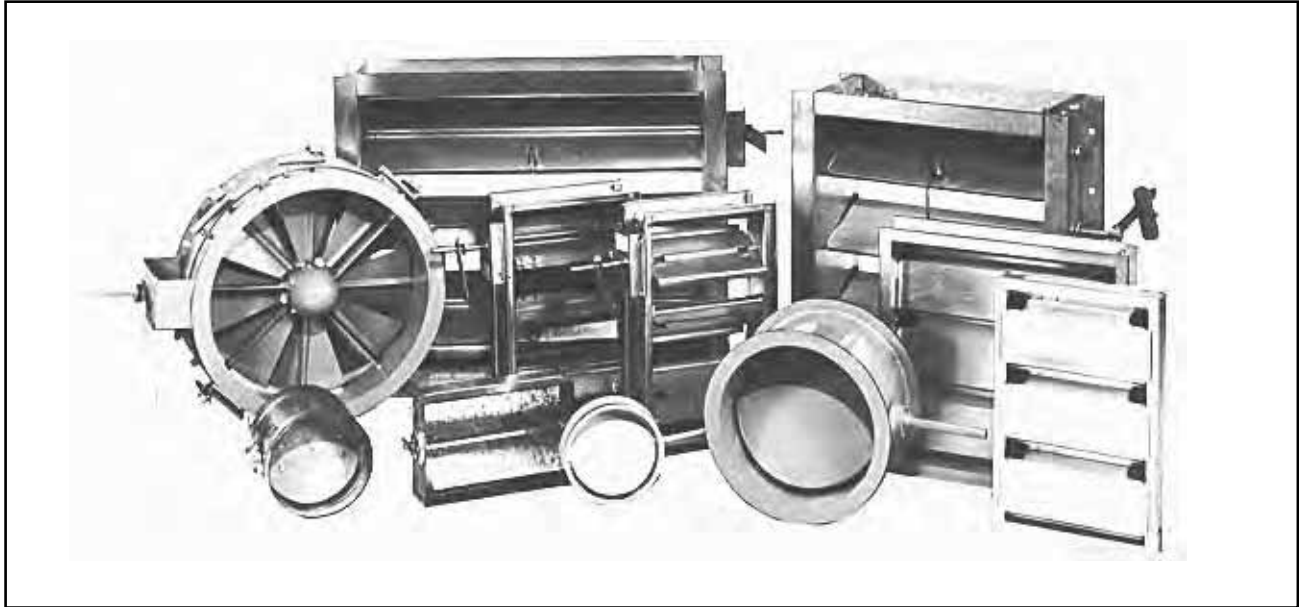
***** PRICE ON APPLICATION *****

- E.&O.E. - May not be in stock at all branches, if so please allow 10 days for delivery. -
- All Prices F.O.B. Our Warehouse - Subject to Change Without Notice - All Taxes Extra -



LOUVERS AND DAMPERS

CONTACT YOUR ECCO SALES REPRESENTATIVE FOR SPECIFICATIONS AND SPECIALTY DAMPERS AND LOUVERS



DAMPERS

- Commercial Dampers
- Industrial Dampers
- Galvanized, Aluminum or Stainless Steel Construction

LOUVERS

- Specialty Louvers
- Sightproof
- Vertical Blade
- Sunscreen
- Acoustical

*- E.&O.E. - May not be in stock at all branches, if so please allow 10 days for delivery. -
- All Prices F.O.B. Our Warehouse - Subject to Change Without Notice - All Taxes Extra -*

