



ROUND SPIRAL DUCT AND FITTINGS

www.eccomfg.com

FITTINGS		INDEX
Accessories		122
Conicals		120
Crosses	121 –	122
Elbows		120
Gauge Chart		119
Laterals		121
Ordering		119
Tees		119
 GALVANIZED ROUND SPIRAL DUCT		
28 Gauge		110
26 Gauge		111
24 Gauge		112
22 Gauge		113
20 Gauge		114
18 Gauge		115
Couplings		117
Custom Elbows		123
Hangers		118
Half Band Hangers — 10 Gauge		118
Perforated Spiral Duct	116 –	117
 GAUGE SELECTION		
Aluminum		109
Gauge Chart — Fittings		119
Gauge Chart — Negative Pressure		108
Gauge Chart — Nominal Thickness		109
Gauge Chart — Positive Pressure		107
 PRODUCT DATA		 106
PROFILE SELECTION		106

ECCO is proud to be a member of:



ASHRAE
American Society of
Heating, Refrigeration, and
Air Conditioning Engineers, Inc.
www.ashrae.com



HRAI
Heating, Refrigerating
and Air Conditioning
Institute of Canada
www.hrai.ca



HARDI
Heating, Airconditioning &
Refrigeration Distributors
International
www.hardinet.org



SMACNA
Sheet Metal & Air
Conditioning Contractors
National Association Inc.
www.smacna.org



SPIDA
Spiral Duct
Manufacturers
Association
www.spida.org

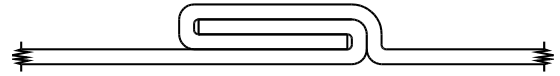


ROUND SPIRAL DUCT PRODUCT DATA

ECCO Spiral Duct combines the economy of light gauge materials with a spirally formed lockseam construction that provides maximum strength and rigidity. Modern methods of production permits fabrication of long lengths of duct in 1" through 72" diameters. There is no limit to the length that can be manufactured. Limitations only applicable to transportation restrictions.

FEATURES:

- Airtight 4-ply lockseam;
- Low friction loss;
- Light weight;
- Long lengths.

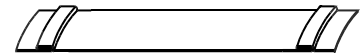


BASE MATERIALS:

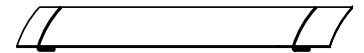
- Aluminum;
- Cold rolled steel;
- Galvanized steel;
- Perforated steel;
- Polyvinyl chloride (PVC) coated steel;
- Pre-painted steel;
- Stainless steel;
- Wiped coat.

ROUND SPIRAL DUCT PROFILE SELECTION

Type P — STANDARD PROFILE offers a smooth, high strength duct with low external seam friction loss.



Type P-IS — Internally seamed for a smooth outside wall construction. Specify at placement of order: Type P-IS.



Type 2-LC — Two light reinforcing corrugations for added strength. Light in weight and economical. Will not develop excessive pressure losses at low velocities. Same weight as Type P. Specify at placement of order: Type 2-LC.



Type C — Deep reinforcing corrugation for extra strength allows usage of lighter gauge materials. Will not develop excessive pressure losses at low velocities. Add 8% to weight of Type P. Specify at placement of order: Type C.



Type CC — Deep reinforcing corrugation for added strength, with a smooth inside construction for low friction loss. Add 10% to weight of Type P. Specify at placement of order: Type CC.



— E.&O.E. — May not be in stock at all branches, if so please allow 10 days for delivery. —
— All Prices F.O.B. Our Warehouse — Subject to Change Without Notice — All Taxes Extra —



ROUND SPIRAL DUCT GAUGE SELECTION

- Fittings shall be of wall thickness not less than that specified for longitudinal seam duct.
- For Stainless Steel or Polyvinyl Chloride Coated Steel, use the Galvanized Round Duct Gauge Selection below.

Galvanized Round Duct Gauge Unreinforced — POSITIVE PRESSURE TO 10" W.G. —		
Maximum Diameter (in)	Longitudinal Seam	Spiral Seam
4	28	28
6	28	28
8	28	28
10	28	28
12	28	28
14	28	28
16	26	26
18	26	26
20	24	26
22	24	26
24	24	26
30	22	24
36	22	24
42	22	24
48	20	22
54	20	22
60	20	22
66	18	22
72	18	20
78	18	20
84	18	20
90	18	20
96	18	20

Reference: HVAC Duct Construction Standards Metal and Flexible — Third Edition.

– E.&O.E. – May not be in stock at all branches, if so please allow 10 days for delivery. –
 – All Prices F.O.B. Our Warehouse – Subject to Change Without Notice – All Taxes Extra –



SPIRAL DUCT B/L AND Y/L

ECCO
Manufactured
Products

ROUND SPIRAL DUCT GAUGE SELECTION (cont'd)

Galvanized Round Duct Gauge Unreinforced — NEGATIVE PRESSURE —								
Maximum Diameter (in)	-2" w.g.		-4" w.g.		-6" w.g.		-10" w.g.	
	Spiral Seam	Long. Seam	Spiral Seam	Long. Seam	Spiral Seam	Long. Seam	Spiral Seam	Long. Seam
4	28	28	28	28	28	28	28	28
6	28	28	28	28	28	28	28	28
8	28	28	28	28	28	26	26	24
10	28	28	28	26	26	24	26	24
12	28	26	26	24	24	24	24	22
14	28	24	24	22	24	22	22	20
16	26	24	24	22	22	20	22	18
18	24	22	22	20	22	20	20	18
20	24	22	22	20	20	18	18	18
22	22	22	20	18	20	18	18	16
24	22	20	20	18	18	18	18	16
30	20	18	18	16	18	16	16	N/A
36	18	16	16	N/A	16	N/A	N/A	N/A
42	18	16	16	N/A	N/A	N/A	N/A	N/A
48	16	N/A	N/A	N/A	N/A	N/A	N/A	N/A
54	16	N/A	N/A	N/A	N/A	N/A	N/A	N/A
60	N/A	N/A	N/A	N/A	N/A	N/A	N/A	N/A
66	N/A	N/A	N/A	N/A	N/A	N/A	N/A	N/A
72	N/A	N/A	N/A	N/A	N/A	N/A	N/A	N/A
78	N/A	N/A	N/A	N/A	N/A	N/A	N/A	N/A
84	N/A	N/A	N/A	N/A	N/A	N/A	N/A	N/A
90	N/A	N/A	N/A	N/A	N/A	N/A	N/A	N/A

Reference: HVAC Duct Construction Standards Metal and Flexible — Third Edition.

– E.&O.E. – May not be in stock at all branches, if so please allow 10 days for delivery. –
 – All Prices F.O.B. Our Warehouse – Subject to Change Without Notice – All Taxes Extra –



SPIRAL DUCT B/L AND Y/L

ROUND SPIRAL DUCT GAUGE SELECTION (cont'd)

ALUMINUM ROUND DUCT GAUGE SCHEDULE				
Duct Diameter in Inches	Maximum 2" w.g. Static Positive		Maximum 2" w.g. Static Negative	
	Spiral Seam Gauge	Longitudinal Seam Gauge	Spiral Seam Gauge	Longitudinal Seam Gauge
3 thru 8	.025"	.032"	.025"	.040"
9 thru 14	.025"	.032"	.032"	.040"
15 thru 26	.032"	.040"	.040"	.050"
27 thru 36	.040"	.050"	.050"	.063"
37 thru 50	.050"	.063"	.063"	.071"
51 thru 60	.063"	.071"	N/A	.090"
61 thru 84	N/A	.090"	N/A	N/A

Notes: Construction of aluminum duct and fittings shall otherwise correspond in the same relationship as for steel duct.

N.A. means not readily available or not assigned.

Reference: SMACNA HVAC Duct Construction Standards.

ROUND SPIRAL DUCT GAUGE CHART — NOMINAL THICKNESS

GAUGE	GALVANIZED STEEL (")	ALUMINUM (")	STAINLESS STEEL (")
33	.0090	N/A	N/A
32	.0134	N/A	N/A
30	.0157	.0100	.0125
28	.0187	.0126	.0156
26	.0217	.0159	.0187
24	.0276	.0201	.0250
22	.0336	.0253	.0312
20	.0396	.0319	.0375
18	.0516	.0403	.0500
16	.0635	.0508	.0625
14	.0785	.0640	.0781
13	.0934	.0719	.0937
12	.1084	.0808	.1093
11	.1233	.0907	.1250
10	.1382	.1019	.1406

– E.&O.E. – May not be in stock at all branches, if so please allow 10 days for delivery. –

– All Prices F.O.B. Our Warehouse – Subject to Change Without Notice – All Taxes Extra –



SPIRAL DUCT B/L AND Y/L

ROUND SPIRAL DUCT PRICING INFORMATION

All the sizes in this catalogue are based on Type P and Type 2-LC profiles. The Type 2-LC profile has two light reinforcing corrugations for added strength. It is light in weight and economical and will not develop excessive pressure losses at low velocities.

- When using Type C Profile, add 8% to weight listed, price on application.
- When using Type CC Profile, add 10% to weight listed, price on application.
- When using Type P-IS Profile, price on application.

GALVANIZED ROUND SPIRAL DUCT — 28 GAUGE

B/L STOCK #	DIAMETER (")	WT LBS/FT	SMACNA RATED W.G. PRESSURE	Y/L STOCK #	PRICE/FT
410328	3	0.66	Refer to pgs. 101 – 103	400328	\$ 3.49
410428	4	0.88	Refer to pgs. 101 – 103	400428	4.42
410528	5	1.10	Refer to pgs. 101 – 103	400528	4.60
410628	6	1.32	Refer to pgs. 101 – 103	400628	5.53
410728	7	1.55	Refer to pgs. 101 – 103	400728	6.51
410828	8	1.77	Refer to pgs. 101 – 103	400828	7.44
410928	9	1.99	Refer to pgs. 101 – 103	400928	8.37
411028	10	2.21	Refer to pgs. 101 – 103	401028	9.30
411128	11	2.43	Refer to pgs. 101 – 103	401128	11.26
411228	12	2.65	Refer to pgs. 101 – 103	401228	11.26
411428	14	3.10	Refer to pgs. 101 – 103	401428	12.82

SMACNA recommended gauges to 10" W.G. Static Positive.

– E.&O.E. – May not be in stock at all branches, if so please allow 10 days for delivery. –
– All Prices F.O.B. Our Warehouse – Subject to Change Without Notice – All Taxes Extra –



SPIRAL DUCT B/L AND Y/L

ECCO
Manufactured
Products

GALVANIZED ROUND SPIRAL DUCT — 26 GAUGE

B/L STOCK #	DIAMETER (")	WT LBS/FT	SMACNA RATED W.G. PRESSURE	Y/L STOCK #	PRICE/FT
410326	3	0.76	Refer to pgs. 101 – 103	400326	\$ 4.65
410426	4	1.02	Refer to pgs. 101 – 103	400426	4.85
410526	5	1.28	Refer to pgs. 101 – 103	400526	5.91
410626	6	1.54	Refer to pgs. 101 – 103	400626	7.11
410726	7	1.79	Refer to pgs. 101 – 103	400726	8.23
410826	8	2.05	Refer to pgs. 101 – 103	400826	9.39
410926	9	2.31	Refer to pgs. 101 – 103	400926	10.65
411026	10	2.59	Refer to pgs. 101 – 103	401026	11.81
411126	11	2.83	Refer to pgs. 101 – 103	401126	12.97
411226	12	3.08	Refer to pgs. 101 – 103	401226	14.18
411426	14	3.59	Refer to pgs. 101 – 103	401426	16.46
411626	16	4.11	Refer to pgs. 101 – 103	401626	17.71
411826	18	4.63	Refer to pgs. 101 – 103	401826	19.07
412026	20	5.15	Refer to pgs. 101 – 103	402026	21.20
412226	22	5.65	Refer to pgs. 101 – 103	402226	23.30
412426	24	6.16	Refer to pgs. 101 – 103	402426	25.39

SMACNA recommended gauges to 10" W.G. Static Positive.

– E.&O.E. – May not be in stock at all branches, if so please allow 10 days for delivery. –
– All Prices F.O.B. Our Warehouse – Subject to Change Without Notice – All Taxes Extra –



SPIRAL DUCT B/L AND Y/L

ECCO
Manufactured
Products

GALVANIZED ROUND SPIRAL DUCT — 24 GAUGE

B/L STOCK #	DIAMETER (")	WT LBS/FT	SMACNA RATED W.G. PRESSURE	Y/L STOCK #	PRICE/FT
410324	3	1.01	Refer to pgs. 101 – 103	400324	\$ 4.74
410424	4	1.35	Refer to pgs. 101 – 103	400424	5.91
410524	5	1.69	Refer to pgs. 101 – 103	400524	7.30
410624	6	2.03	Refer to pgs. 101 – 103	400624	8.84
410724	7	2.37	Refer to pgs. 101 – 103	400724	10.28
410824	8	2.71	Refer to pgs. 101 – 103	400824	11.76
410924	9	3.05	Refer to pgs. 101 – 103	400924	13.30
411024	10	3.39	Refer to pgs. 101 – 103	401024	14.79
411124	11	3.73	Refer to pgs. 101 – 103	401124	16.23
411224	12	4.07	Refer to pgs. 101 – 103	401224	17.81
411424	14	4.74	Refer to pgs. 101 – 103	401424	20.74
411624	16	5.42	Refer to pgs. 101 – 103	401624	23.58
411824	18	6.10	Refer to pgs. 101 – 103	401824	26.55
412024	20	6.78	Refer to pgs. 101 – 103	402024	29.57
412224	22	7.46	Refer to pgs. 101 – 103	402224	32.60
412424	24	8.14	Refer to pgs. 101 – 103	402424	35.39
412624	26	8.82	Refer to pgs. 101 – 103	402624	38.41
412824	28	9.50	Refer to pgs. 101 – 103	402824	41.39
413024	30	10.18	Refer to pgs. 101 – 103	403024	44.36
413224	32	10.84	Refer to pgs. 101 – 103	403224	47.34
413424	34	11.53	Refer to pgs. 101 – 103	403424	50.17
413624	36	12.20	Refer to pgs. 101 – 103	403624	53.20
413829	38	12.88	Refer to pgs. 101 – 103	403829	P.O.A.
414024	40	13.56	Refer to pgs. 101 – 103	404024	P.O.A.
414224	42	14.23	Refer to pgs. 101 – 103	404224	P.O.A.

SMACNA recommended gauges to 10" W.G. Static Positive.

– E.&O.E. – May not be in stock at all branches, if so please allow 10 days for delivery. –
– All Prices F.O.B. Our Warehouse – Subject to Change Without Notice – All Taxes Extra –



SPIRAL DUCT B/L AND Y/L

ECCO
Manufactured
Products

GALVANIZED ROUND SPIRAL DUCT — 22 GAUGE

B/L STOCK #	DIAMETER (")	WT LBS/FT	SMACNA RATED W.G. PRESSURE	Y/L STOCK #	PRICE/FT
410322	3	1.23	Refer to pgs. 101 – 103	400322	\$ 5.72
410422	4	1.64	Refer to pgs. 101 – 103	400422	7.11
410522	5	2.06	Refer to pgs. 101 – 103	400522	8.88
410622	6	2.47	Refer to pgs. 101 – 103	400622	10.74
410722	7	2.88	Refer to pgs. 101 – 103	400722	12.60
410822	8	3.29	Refer to pgs. 101 – 103	400822	14.32
410922	9	3.71	Refer to pgs. 101 – 103	400922	16.14
411022	10	4.12	Refer to pgs. 101 – 103	401022	18.00
411122	11	4.52	Refer to pgs. 101 – 103	401122	19.62
411222	12	4.95	Refer to pgs. 101 – 103	401222	21.62
411422	14	5.77	Refer to pgs. 101 – 103	401422	25.16
411622	16	6.60	Refer to pgs. 101 – 103	401622	28.83
411822	18	7.43	Refer to pgs. 101 – 103	401822	32.36
412022	20	8.25	Refer to pgs. 101 – 103	402022	35.94
412222	22	9.08	Refer to pgs. 101 – 103	402222	39.71
412422	24	9.91	Refer to pgs. 101 – 103	402422	43.15
412622	26	10.73	Refer to pgs. 101 – 103	402622	46.73
412822	28	11.56	Refer to pgs. 101 – 103	402822	50.31
413022	30	12.38	Refer to pgs. 101 – 103	403022	53.99
413222	32	13.21	Refer to pgs. 101 – 103	403222	57.47
413422	34	14.03	Refer to pgs. 101 – 103	403422	61.15
413622	36	14.87	Refer to pgs. 101 – 103	403622	64.82
413822	38	15.69	Refer to pgs. 101 – 103	403822	68.36
414022	40	16.50	Refer to pgs. 101 – 103	404022	71.94
414222	42	17.32	Refer to pgs. 101 – 103	404222	75.52
414422	44	18.18	Refer to pgs. 101 – 103	404422	79.19
414622	46	18.97	Refer to pgs. 101 – 103	404622	82.63
414822	48	19.82	Refer to pgs. 101 – 103	404822	86.44
415022	50	20.64	Refer to pgs. 101 – 103	405022	89.98
415222	52	21.64	Refer to pgs. 101 – 103	405222	P.O.A.
415422	54	22.28	Refer to pgs. 101 – 103	405422	P.O.A.
415622	56	23.10	Refer to pgs. 101 – 103	405622	P.O.A.
415822	58	23.92	Refer to pgs. 101 – 103	405822	P.O.A.
416022	60	24.74	Refer to pgs. 101 – 103	406022	P.O.A.
416222	62	25.56	Refer to pgs. 101 – 103	406222	P.O.A.
416422	64	26.38	Refer to pgs. 101 – 103	406422	P.O.A.
416622	66	27.20	Refer to pgs. 101 – 103	406622	P.O.A.

SMACNA recommended gauges to 10" W.G. Static Positive.

– E.&O.E. – May not be in stock at all branches, if so please allow 10 days for delivery. –
 – All Prices F.O.B. Our Warehouse – Subject to Change Without Notice – All Taxes Extra –



SPIRAL DUCT B/L AND Y/L

ECCO
Manufactured
Products

GALVANIZED ROUND SPIRAL DUCT — 20 GAUGE

B/L STOCK #	DIAMETER (")	WT LBS/FT	SMACNA RATED W.G. PRESSURE	Y/L STOCK #	PRICE/FT
410320	3	1.23	Refer to pgs. 101 – 103	400322	\$ 6.84
410420	4	1.94	Refer to pgs. 101 – 103	400420	8.46
410520	5	2.42	Refer to pgs. 101 – 103	400520	10.51
410620	6	2.91	Refer to pgs. 101 – 103	400620	12.70
410720	7	3.40	Refer to pgs. 101 – 103	400720	14.79
410820	8	3.86	Refer to pgs. 101 – 103	400820	16.79
410920	9	4.37	Refer to pgs. 101 – 103	400920	19.02
411020	10	4.86	Refer to pgs. 101 – 103	401020	21.16
411120	11	5.35	Refer to pgs. 101 – 103	401120	23.34
411220	12	5.83	Refer to pgs. 101 – 103	401220	25.48
411420	14	6.81	Refer to pgs. 101 – 103	401420	29.67
411620	16	7.78	Refer to pgs. 101 – 103	401620	33.85
411820	18	8.76	Refer to pgs. 101 – 103	401820	38.18
412020	20	9.73	Refer to pgs. 101 – 103	402020	42.41
412220	22	10.71	Refer to pgs. 101 – 103	402220	46.69
412420	24	11.68	Refer to pgs. 101 – 103	402420	50.92
412620	26	12.66	Refer to pgs. 101 – 103	402620	55.20
412820	28	13.63	Refer to pgs. 101 – 103	402820	59.38
413020	30	14.60	Refer to pgs. 101 – 103	403020	63.61
413220	32	15.58	Refer to pgs. 101 – 103	403220	67.94
413420	34	16.56	Refer to pgs. 101 – 103	403420	72.17
413620	36	17.53	Refer to pgs. 101 – 103	403620	76.40
413820	38	18.51	Refer to pgs. 101 – 103	403820	80.68
414020	40	19.48	Refer to pgs. 101 – 103	404020	84.96
414220	42	20.46	Refer to pgs. 101 – 103	404220	89.28
414420	44	21.42	Refer to pgs. 101 – 103	404420	93.37
414620	46	22.41	Refer to pgs. 101 – 103	404620	97.65
414820	48	23.36	Refer to pgs. 101 – 103	404820	101.79
415020	50	24.37	Refer to pgs. 101 – 103	405020	106.16
415220	52	25.34	Refer to pgs. 101 – 103	405220	110.44
415420	54	26.32	Refer to pgs. 101 – 103	405420	114.72
415620	56	27.28	Refer to pgs. 101 – 103	405620	118.99
415820	58	28.27	Refer to pgs. 101 – 103	405820	123.32
416020	60	29.25	Refer to pgs. 101 – 103	406020	127.50
416220	62	31.39	Refer to pgs. 101 – 103	406220	P.O.A.
416420	64	32.40	Refer to pgs. 101 – 103	406420	P.O.A.
416620	66	33.40	Refer to pgs. 101 – 103	406620	P.O.A.
416820	68	34.42	Refer to pgs. 101 – 103	406820	P.O.A.
417020	70	35.44	Refer to pgs. 101 – 103	407020	P.O.A.
417220	72	36.45	Refer to pgs. 101 – 103	407220	P.O.A.

SMACNA recommended gauges to 10" W.G. Static Positive.

– E.&O.E. – May not be in stock at all branches, if so please allow 10 days for delivery. –
 – All Prices F.O.B. Our Warehouse – Subject to Change Without Notice – All Taxes Extra –



SPIRAL DUCT B/L AND Y/L

ECCO
Manufactured
Products

GALVANIZED ROUND SPIRAL DUCT — 18 GAUGE

B/L STOCK #	DIAMETER (")	WT LBS/FT	SMACNA RATED W.G. PRESSURE	Y/L STOCK #	PRICE/FT
410418	4	2.64	Refer to pgs. 101 – 103	400418	\$ 13.30
410518	5	3.30	Refer to pgs. 101 – 103	400518	16.51
410618	6	3.95	Refer to pgs. 101 – 103	400618	22.51
410718	7	4.61	Refer to pgs. 101 – 103	400718	23.20
410818	8	5.27	Refer to pgs. 101 – 103	400818	30.13
410918	9	5.93	Refer to pgs. 101 – 103	400918	33.81
411018	10	6.59	Refer to pgs. 101 – 103	401018	37.67
411118	11	7.25	Refer to pgs. 101 – 103	401118	41.39
411218	12	7.91	Refer to pgs. 101 – 103	401218	45.15
411418	14	9.23	Refer to pgs. 101 – 103	401418	52.68
411618	16	10.54	Refer to pgs. 101 – 103	401618	60.12
411818	18	11.86	Refer to pgs. 101 – 103	401818	67.56
412018	20	13.18	Refer to pgs. 101 – 103	402018	75.10
412218	22	14.50	Refer to pgs. 101 – 103	402218	82.82
412418	24	15.82	Refer to pgs. 101 – 103	402418	90.21
412618	26	17.13	Refer to pgs. 101 – 103	402618	97.79
412818	28	18.45	Refer to pgs. 101 – 103	402818	102.21
413018	30	19.77	Refer to pgs. 101 – 103	403018	112.86
413218	32	21.09	Refer to pgs. 101 – 103	403218	120.20
413418	34	22.41	Refer to pgs. 101 – 103	403418	127.88
413618	36	23.72	Refer to pgs. 101 – 103	403618	135.32
413818	38	25.04	Refer to pgs. 101 – 103	403818	142.89
414018	40	26.36	Refer to pgs. 101 – 103	404018	150.33
414218	42	27.68	Refer to pgs. 101 – 103	404218	157.91
414418	44	29.00	Refer to pgs. 101 – 103	404418	165.40
414618	46	30.31	Refer to pgs. 101 – 103	404618	172.84
414818	48	31.63	Refer to pgs. 101 – 103	404818	180.42
415018	50	32.95	Refer to pgs. 101 – 103	405018	188.05
415218	52	34.27	Refer to pgs. 101 – 103	405218	195.49
415418	54	35.59	Refer to pgs. 101 – 103	405418	203.02
415618	56	36.90	Refer to pgs. 101 – 103	405618	210.51
415818	58	38.22	Refer to pgs. 101 – 103	405818	217.99
416018	60	39.54	Refer to pgs. 101 – 103	406018	225.53
416218	62	40.86	Refer to pgs. 101 – 103	406218	233.20
416418	64	42.18	Refer to pgs. 101 – 103	406418	240.73
416618	66	43.49	Refer to pgs. 101 – 103	406618	248.12
416818	68	44.81	Refer to pgs. 101 – 103	406818	255.66
417018	70	46.13	Refer to pgs. 101 – 103	407018	263.17
417218	72	47.45	Refer to pgs. 101 – 103	407218	270.72

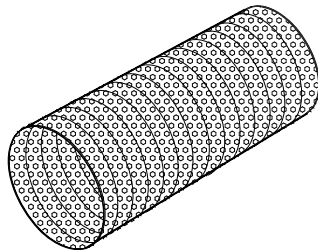
Note: All Round Spiral Duct on this page exceeds the SMACNA minimum recommended gauge for 10" W.G. Static Positive.

– E.&O.E. – May not be in stock at all branches, if so please allow 10 days for delivery. –
 – All Prices F.O.B. Our Warehouse – Subject to Change Without Notice – All Taxes Extra –



SPIRAL DUCT B/L AND Y/L

PERFORATED SPIRAL DUCT



Perforated Spiral Duct

STOCK #	SIZE (")	WT LBS/EA	GAUGE SIZE TO SMACNA STANDARD	PRICE/EA
420322	3	.94	22	P.O.A.
420422	4	1.25	22	P.O.A.
420522	5	1.56	22	P.O.A.
420622	6	1.88	22	P.O.A.
420722	7	2.19	22	P.O.A.
420822	8	2.50	22	P.O.A.
420922	9	2.81	22	P.O.A.
421022	10	3.13	22	P.O.A.
421122	11	3.44	22	P.O.A.
421222	12	3.75	22	P.O.A.
421322	13	4.07	22	P.O.A.
421422	14	4.38	22	P.O.A.
421522	15	4.69	22	P.O.A.
421622	16	5.00	22	P.O.A.
421722	17	5.32	22	P.O.A.
421822	18	5.63	22	P.O.A.
421922	19	5.94	22	P.O.A.
422022	20	6.25	22	P.O.A.
422122	21	6.57	22	P.O.A.
422222	22	6.88	22	P.O.A.
422322	23	7.19	22	P.O.A.
422422	24	7.50	22	P.O.A.
422622	26	8.13	22	P.O.A.
422822	28	8.76	22	P.O.A.
423022	30	9.38	22	P.O.A.
423222	32	10.00	22	P.O.A.
423422	34	10.63	22	P.O.A.
423622	36	11.26	22	P.O.A.
423822	38	11.88	22	P.O.A.
424022	40	12.51	22	P.O.A.
424222	42	13.13	22	P.O.A.
424422	44	13.76	22	P.O.A.
424622	46	14.38	22	P.O.A.
424822	48	15.01	22	P.O.A.
425022	50	15.64	22	P.O.A.
425222	52	16.26	22	P.O.A.
425422	54	18.07	22	P.O.A.
425622	56	18.74	22	P.O.A.

(cont'd on next page)

- E.&O.E. - May not be in stock at all branches, if so please allow 10 days for delivery. -
 - All Prices F.O.B. Our Warehouse - Subject to Change Without Notice - All Taxes Extra -



SPIRAL DUCT B/L AND Y/L

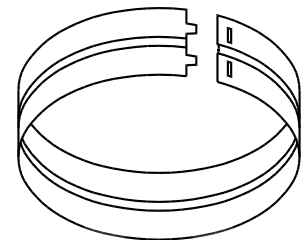
ECCO
Manufactured
Products

PERFORATED SPIRAL DUCT (cont'd)

STOCK #	SIZE (")	WT LBS/EA	GAUGE SIZE TO SMACNA STANDARD	PRICE/EA
425822	58	19.41	22	P.O.A.
426022	60	20.08	22	P.O.A.
426222	62	20.74	22	P.O.A.
426422	64	21.41	22	P.O.A.
426622	66	22.08	22	P.O.A.
426822	68	22.75	22	P.O.A.
427022	70	23.42	22	P.O.A.

GALVANIZED ROUND SPIRAL DUCT COUPLINGS

STOCK #	SIZE (")	WT LBS/EA	GAUGE	PRICE/EA
430324	*3 × 4	.36	24	\$ 6.50
430424	*4 × 4	.46	24	6.95
430524	5 × 4	.50	24	7.30
430624	6 × 4	.60	24	7.89
430724	7 × 4	.70	24	8.60
430824	8 × 4	.80	24	10.09
430924	9 × 4	.90	24	10.79
431024	10 × 4	1.00	24	11.44
431124	11 × 4	1.10	24	12.23
431224	12 × 4	1.20	24	12.88
431424	14 × 4	1.40	24	15.11
431622	16 × 4	2.00	22	18.69
431822	18 × 4	2.20	22	21.48
432022	20 × 4	2.40	22	24.37
432222	22 × 4	2.70	22	25.85
432422	24 × 4	3.00	22	27.99
432622	26 × 4	3.20	22	31.57
432820	28 × 4	4.10	20	40.87
433020	30 × 4	4.30	20	45.90
433220	32 × 4	4.60	20	49.48
433420	34 × 4	5.10	20	56.68
433620	36 × 4	5.20	20	58.08



Round Spiral Duct
Coupling

*Spot weld seam.

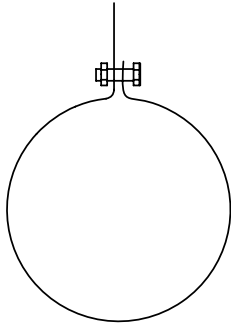
Note: Contact your ECCO sales representative for pricing on larger sizes.
Other types of connectors also available — P.O.A.

– E.&O.E. – May not be in stock at all branches, if so please allow 10 days for delivery. –
– All Prices F.O.B. Our Warehouse – Subject to Change Without Notice – All Taxes Extra –



SPIRAL DUCT B/L AND Y/L

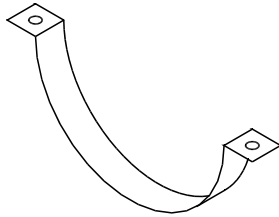
ECCO
Manufactured
Products



Round Spiral Duct Hanger

GALVANIZED ROUND SPIRAL DUCT HANGERS

STOCK #	SIZE (")	CTN/QTY	WT LBS/EA	PRICE/EA
430104	4	–	.13	\$ 12.55
430105	5	–	.18	12.70
430106	6	–	.24	12.85
430108	8	–	.31	13.35
430110	10	–	.38	14.35
430112	12	–	.46	16.05
430114	14	–	.53	22.15
430116	16	–	.60	22.85
430118	18	–	.68	23.85
430120	20	–	.75	24.10



Spiral Duct Half Band Hanger

GALVANIZED ROUND SPIRAL DUCT HALF BAND HANGERS — 10 GAUGE

STOCK #	SIZE (")	CTN/QTY	WT LBS/100	PRICE/EA
430224	24	–	250	\$ 19.80
430226	26	–	266	20.00
430228	28	–	284	20.95
430230	30	–	307	22.10
430232	32	–	324	25.60
430234	34	–	341	26.50
430236	36	–	359	27.45
430238	38	–	378	29.65

Note: Other sizes available upon request.

– E.&O.E. – May not be in stock at all branches, if so please allow 10 days for delivery. –
– All Prices F.O.B. Our Warehouse – Subject to Change Without Notice – All Taxes Extra –



GALVANIZED ROUND SPIRAL DUCT FITTINGS

ECCO fabricated Round Spiral Duct Fittings are produced from galvanized steel meeting SMACNA HVAC Duct Construction Standards.

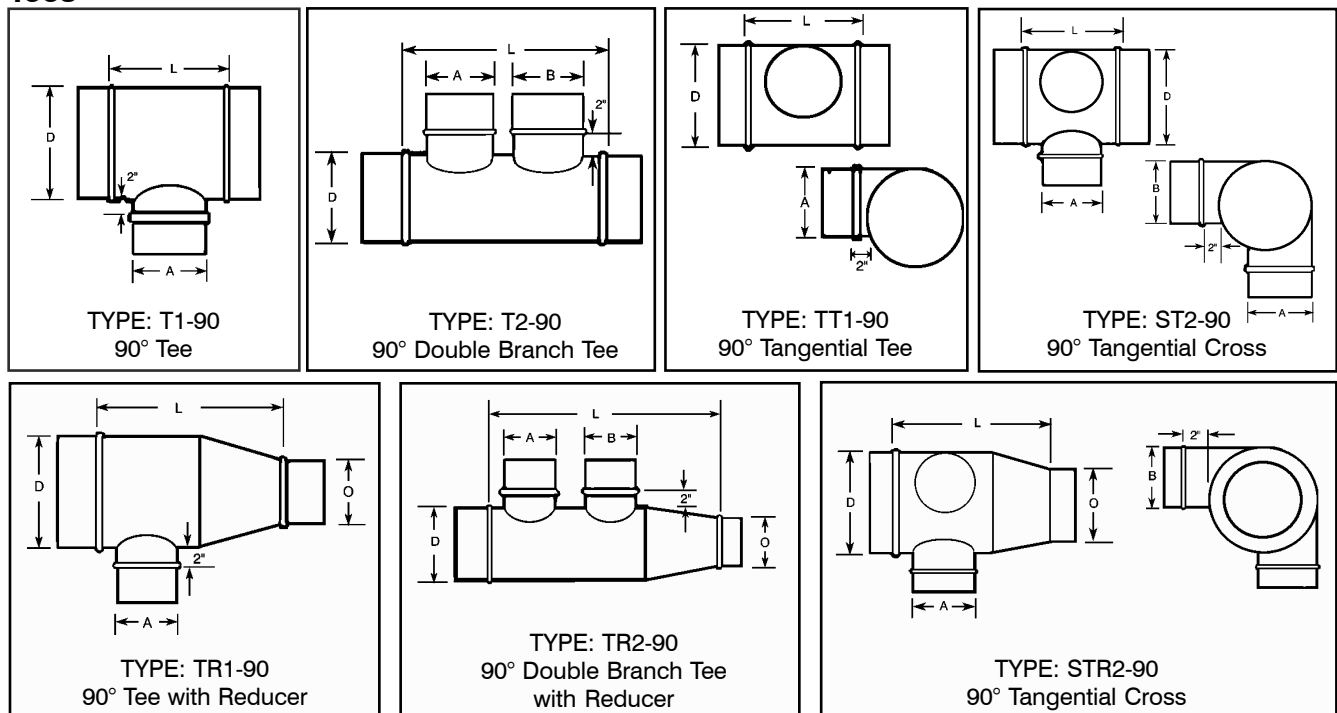
When ordering:

- Specify type and list all dimensions.
- Describe any variations from standard.
- Standard end connection shall be 2" in length and is considered to be the sleeve for slip joint assembly of spiral duct to fittings.

Galvanized Round Spiral Duct Fittings Gauge Chart

DUCT DIAMETER (")	GAUGE SIZE FOR 10" POS. PRESSURE
6	28
8	28
10	28
12	28
14	28
16	26
18	26
19 – 24	24
25 – 42	22
43 – 60	20
62 – 96	18

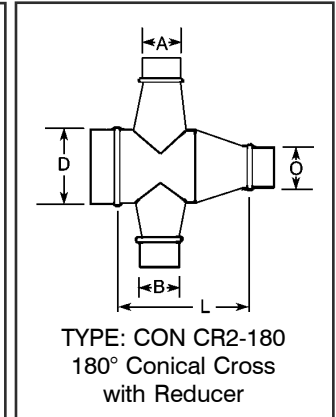
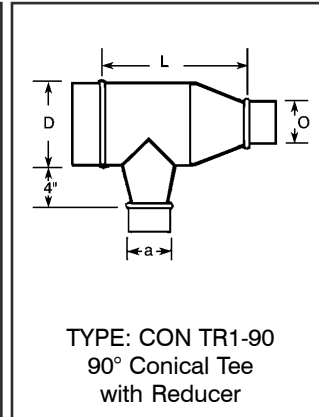
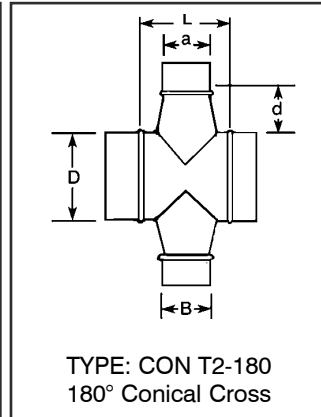
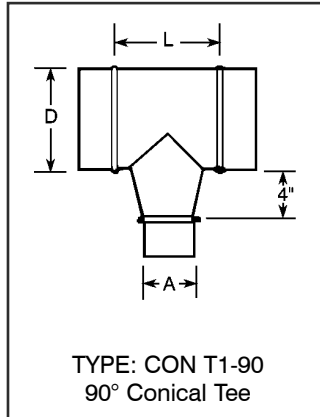
Tees



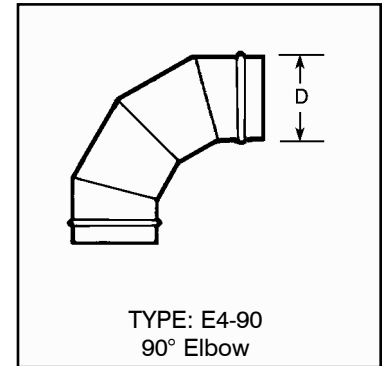
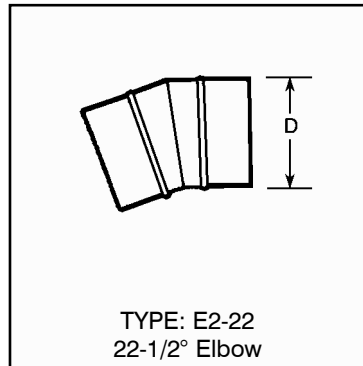
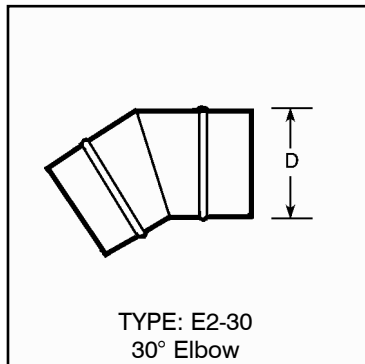
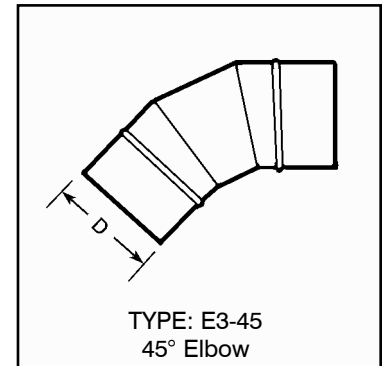
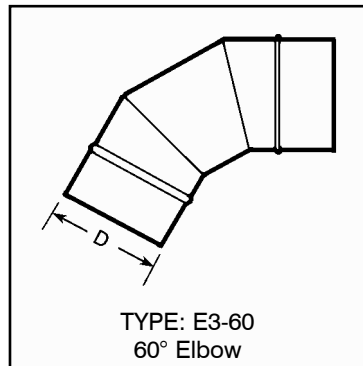
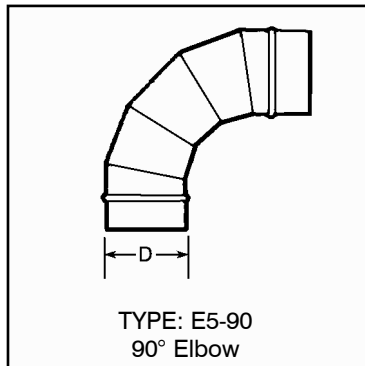
– E.&O.E. – May not be in stock at all branches, if so please allow 10 days for delivery. –
 – All Prices F.O.B. Our Warehouse – Subject to Change Without Notice – All Taxes Extra –

GALVANIZED ROUND SPIRAL DUCT FITTINGS (cont'd)

Conicals



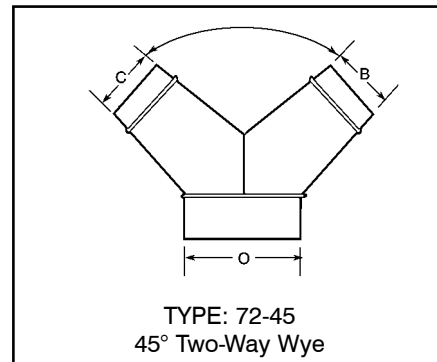
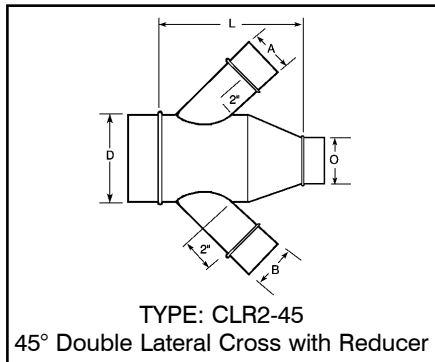
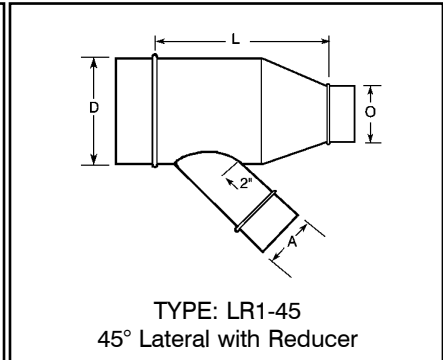
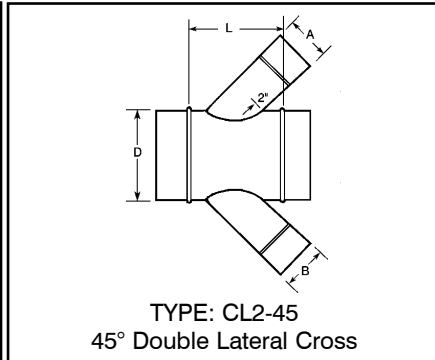
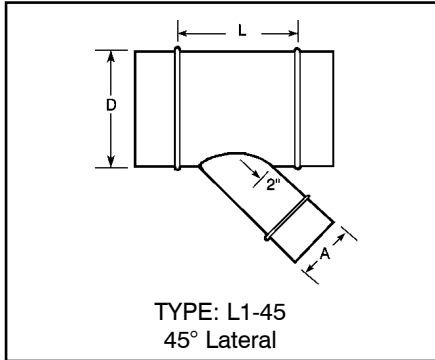
Elbows



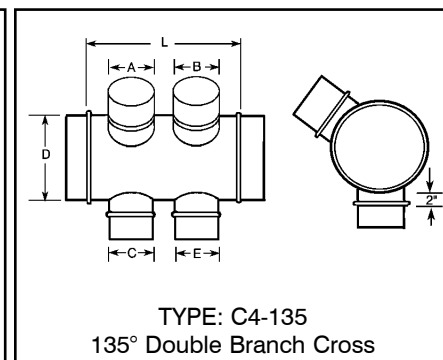
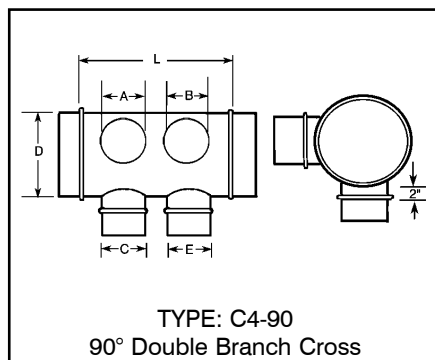
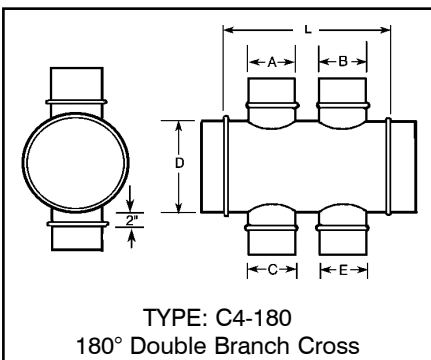
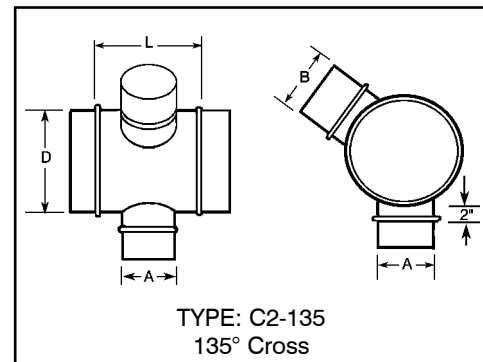
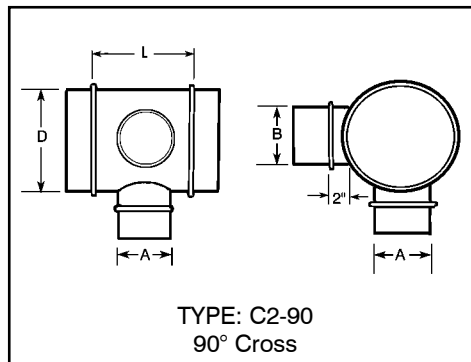
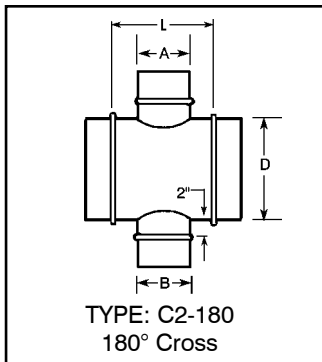
– E.&O.E. – May not be in stock at all branches, if so please allow 10 days for delivery. –
– All Prices F.O.B. Our Warehouse – Subject to Change Without Notice – All Taxes Extra –

GALVANIZED ROUND SPIRAL DUCT FITTINGS (cont'd)

Laterals



Crosses



- E.&O.E. - May not be in stock at all branches, if so please allow 10 days for delivery. -
- All Prices F.O.B. Our Warehouse - Subject to Change Without Notice - All Taxes Extra -

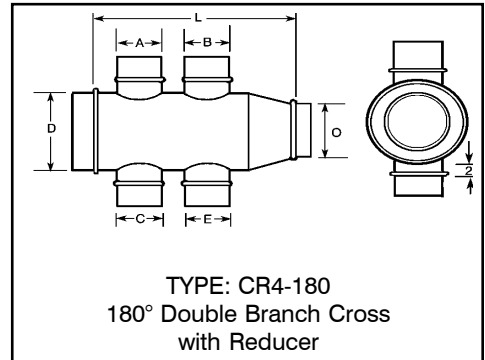
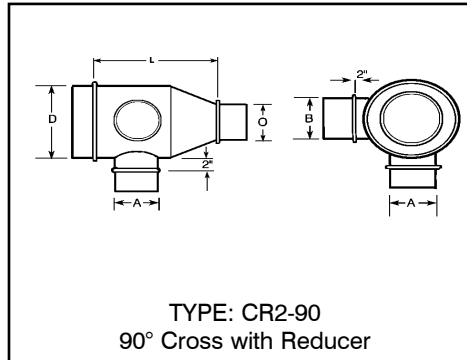
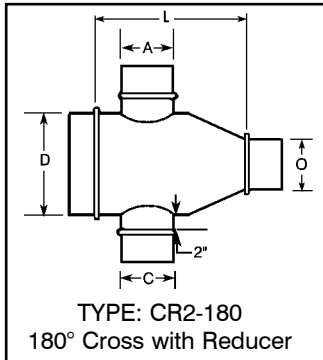


SPIRAL DUCT B/L AND Y/L

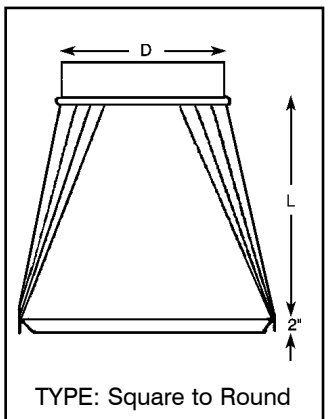
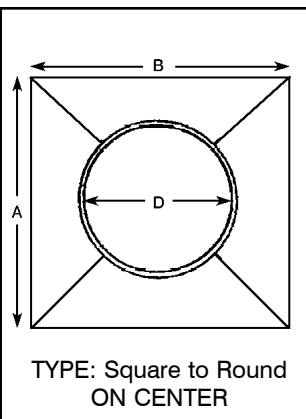
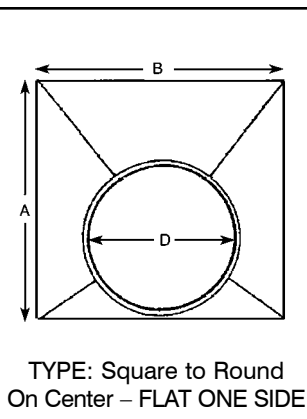
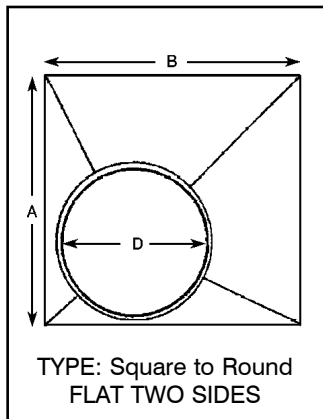
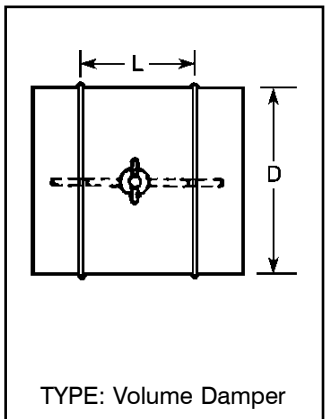
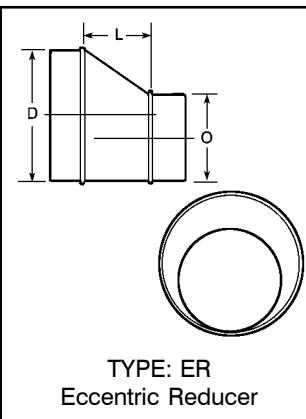
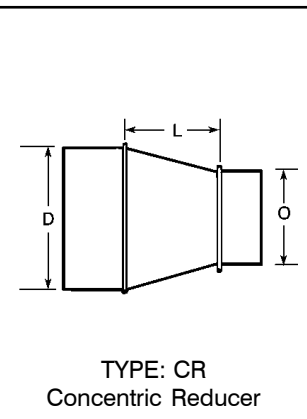
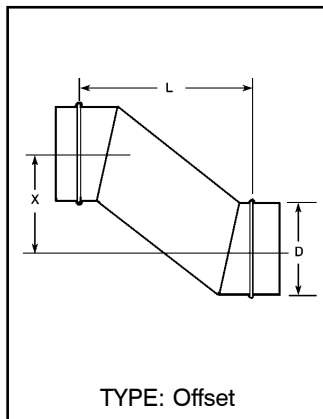
ECCO
Manufactured
Products

GALVANIZED ROUND SPIRAL DUCT FITTINGS (cont'd)

Crosses (cont'd)



Accessory Fittings



- E.&O.E. - May not be in stock at all branches, if so please allow 10 days for delivery. -
- All Prices F.O.B. Our Warehouse - Subject to Change Without Notice - All Taxes Extra -



GALVANIZED ROUND SPIRAL DUCT CUSTOM ELBOWS — MANUFACTURED TO MEET YOUR SPECIFICATIONS

To help meet your specific requirements, our sales staff will need to know the pressure class or duct velocity of the system. We can then determine the gauge and construction details. Knowing the degree of the elbow in the pressure class or velocity will also determine the number of segments or gores required.

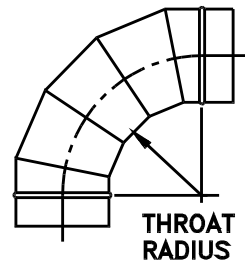
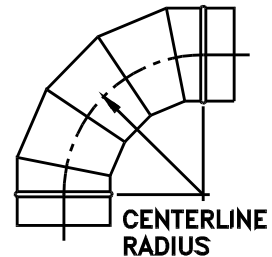
MITERED ELBOWS

DUCT VELOCITY	R/D RATIO CENTERLINE RADIUS TO DUCT DIAMETER	NUMBER OF MITERED PIECES		
		90°	60°	45°
Up to 1000 fpm	0.6	3	2	2
1001 to 1500 fpm	1.0	4	3	2
Above 1500 fpm	1.5	5	4	3

Source: SMACNA HVAC Duct Construction Standards.

Please specify when ordering:

1. Diameter.
2. Degree Angle.
3. Radius (centerline or throat).
4. Gauge (thickness of material) or pressure class (WG).
5. Number of segments or gores (determined by degree and pressure class) (WG).
6. Material, e.g.: Galvanized; Aluminum; Stainless Steel; PVC, etc.
7. Fitting Connection, e.g.: big end/small end rule size; small end/small end spiral size; small end/big end spiral size; big end over spiral/small end into spiral (blow pipe).
8. Construction — determined by pressure class (WG):
 - (a) turned seam;
 - (b) lap and spot;
 - (c) lap and weld;
 - (d) butt weld;
 - (e) standing seam;
 - (f) lap and spot with duct sealer;
 - (g) standing seam with duct sealer.



TURNED SEAM	LAP AND SPOT	LAP AND WELD	BUTT WELD	STANDING SEAM

– E.&O.E. – May not be in stock at all branches, if so please allow 10 days for delivery. –
– All Prices F.O.B. Our Warehouse – Subject to Change Without Notice – All Taxes Extra –

