

FIELD DRAFT INDUCERS

www.fieldcontrols.com

INDEX

CHIMNEY TOP DRAFT INDUCERS — TYPE C	12-4
DRAFT INDUCERS	12-2 – 12-3

This section contains product and technical information only.
For additional information and product pricing please contact your local ECCO Supply Sales Branch.

ECCO is proud to be a member of:



ASHRAE

American Society of
Heating, Refrigerating, and
Air-Conditioning Engineers, Inc.
www.ashrae.org



HRAI

Heating, Refrigeration
and Air Conditioning
Institute of Canada
www.hrai.ca



HARDI

Heating, Airconditioning &
Refrigeration Distributors
International
www.hardinet.org



SMACNA

Sheet Metal and Air
Conditioning Contractors'
National Association
www.smacna.org



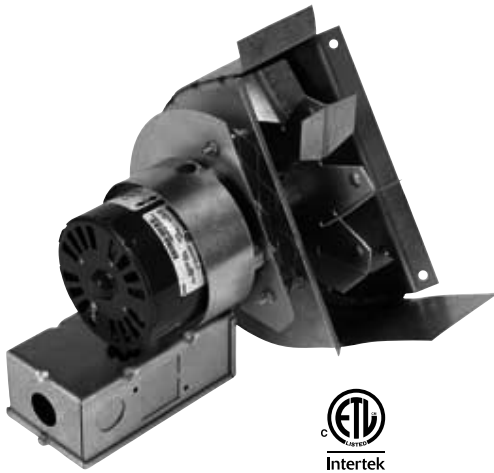
SPIDA

Spiral Duct
Manufacturers
Association
www.spida.org

FIELD DRAFT INDUCERS

www.fieldcontrols.com

DRAFT INDUCERS



Field Draft Inducers solve the drafting problems caused by short chimneys, undersized flue pipes and negative building pressures.

Draft Inducers are designed for easy installation in a wide variety of applications, including oil or gas-fired furnaces, water heaters, and boilers. For venting single or multiple appliances, use a control kit.

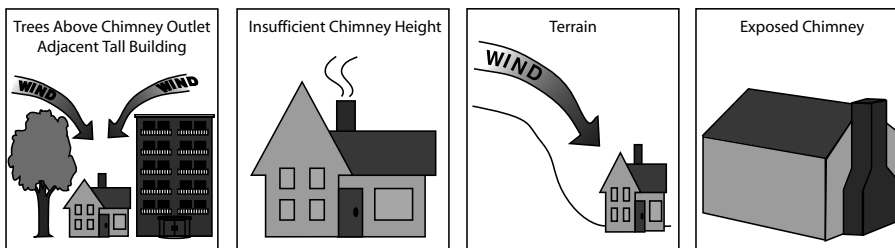
DI Paks are available for 24 volt and millivolt applications and include all controls necessary.

Note: Pressure switch required according to NFPA code.
Not for sidewall venting.

When to use a Draft Inducer

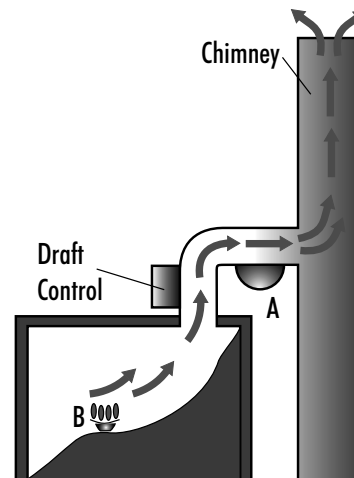
- Long horizontal vent runs
- Short chimneys
- Undersized flue pipes
- Outside exposed chimney

Sources of Draft Problems



How Draft Inducers Work

1. Thermostat calls for heat.
2. The Inducer control is activated. This energizes the Draft Inducer (A) which creates negative pressure or draft.
3. The draft closes the negative pressure proving switch and starts the burner (B).
4. When the thermostat is satisfied, both the burner and Draft Inducer shut down.



- E.&O.E. - May not be in stock at all branches, if so please allow 10 days for delivery. -
- All Prices F.O.B. Our Warehouse - Subject to Change Without Notice - All Taxes Extra -

FIELD DRAFT INDUCERS

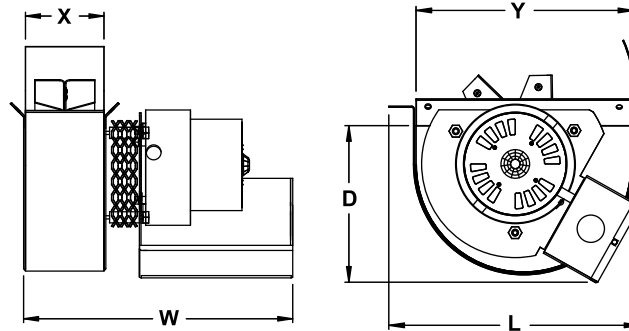
www.fieldcontrols.com

DRAFT INDUCERS (cont'd)

Sizing Chart

Gas-Firing with Draft Hood					Gas-Firing with Barometric Draft Control					Oil or Coal-Firing with Barometric Draft Control					
Input (BTU/HR)	Pipe Dia. (IN)	Draft Inducer (Model)	Static Pressure (IN W.C.)	Flow (CFM)	Input (BTU/HR)	Pipe Dia. (IN)	Draft Inducer (Model)	Static Pressure (IN W.C.)	Flow (CFM)	Max. Input per GPH	Pipe Dia. (IN)	Draft Inducer (Model)	Static Pressure (IN W.C.)	Flow (CFM)	
69,000	3	DI-1	.04	47	69,000	3	DI-1	.05	36	.5	3	DI-1	.05	36	
105,000	4		.04	72	105,000	4		.05	55	.7	4		.05	48	
111,000	5		.06	75	118,000	5		.06	65	.9	5		.05	67	
120,000	6		.05	82	123,000	6		.05	68	.95	6		.04	68	
279,000	5	DI-2	.06	190	300,000	5	DI-2	.07	156	2	5	DI-2	.06	156	
308,000	6	DI-2 PK24*	.07	210	340,000	6	DI-2 PK24*	.08	176	2.5	6	DI-2	.07	175	
330,000	7		.11	225	364,000	7		DI-2 PKmv	.09	189	2.75		7	.08	200
353,000	8		.07	240	390,000	8		DI-2 PKmv	.06	200	3		8	.05	215
522,000	8	DI-3	.18	355	683,000	8	DI-3	.15	355	5	8	DI-3	.13	355	
674,000	9		.15	458	880,000	9		.13	458	6	9		.11	458	
694,000	10		.12	472	908,000	10		.10	472	6.5	10		.09	472	
835,000	12		.08	568	1,092,000	12		.06	568	7.5	12		.06	568	
900,000	10	DI-4	.18	612	1,177,000	10	DI-4	.15	612	8.5	10	DI-4	.13	612	
1,250,000	12		.20	850	1,635,000	12		.17	850	11	12		.14	850	
1,400,000	14		.19	952	1,831,000	14		.16	952	13	14		.13	952	
1,800,000	16		.15	1,224	2,300,000	16		.13	1,224	17	16		.10	1,224	
2,000,000	14	DI-5	.14	1,224	2,350,000	14	DI-5	.12	1,224	17	14	DI-5	.10	1,224	
2,200,000	16		.18	1,500	2,885,000	16		.15	1,500	21	16		.13	1,500	
2,400,000	18		.10	1,632	3,140,000	18		.09	1,632	22	18		.07	1,632	
2,800,000	20		.09	1,900	3,654,000	20		.08	1,900	26	20		.06	1,900	

* DI-2 PK's are designed for commercial water heater application.



Specifications

Model	Unit Dimensions (inches)					Electrical Data					
	L	W	D	X	Y	Volts	Hz	RPM	Watts	Amps	Therm. Prot.
DI-1	8 3/32	8 13/16	5 17/32	2 5/8	7	115	60	1550	33	.43	yes
DI-2	9 7/16	9 3/16	6 7/16	3	8 3/8	115	60	1550	78	1.1	yes
DI-3	12 1/16	10 1/8	9	3 3/4	11 3/4	115	60	1725	186	3.9	yes
DI-4	12 1/16	14 3/16	9	7	11 3/4	115	60	1725	440	5.0	yes
DI-5	12 1/16	16 3/16	9	9	11 3/4	115	60	1725	560	5.7	yes

– E.&O.E. – May not be in stock at all branches, if so please allow 10 days for delivery. –
 – All Prices F.O.B. Our Warehouse – Subject to Change Without Notice – All Taxes Extra –

FIELD DRAFT INDUCERS

www.fieldcontrols.com

CHIMNEY TOP DRAFT INDUCERS — TYPE C FOR WOOD/COAL FIREPLACES

The Type C Chimney Top Draft Inducer provides negative pressure to overcome the effects of wind, cold chimneys, insufficient chimney height, and downdraft. The Type C Draft Inducer is effective when venting standard fireplaces and freestanding gas fireplaces.

The Type C Draft Inducer is available in four sizes: 6", 8", 10", and 13", and is designed to provide years of trouble-free operation. It is insulated to withstand peak temperatures up to 1300° F and operates continually at 900° F without overheating the motor windings or bearings. It can operate with a standard manual on-off switch, or can be installed with the Field Controls variable speed motor control.

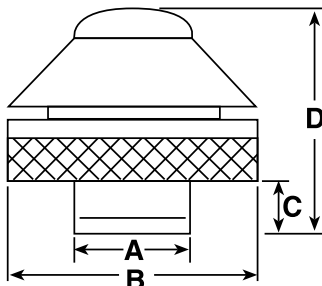


Stainless Steel Construction

When to use a Chimney Top Draft Inducer

- To Provide Additional Air**
 A considerable amount of air is necessary to allow for good chimney draft. In many tightly constructed homes, this air is not readily available. The addition of a Type C Draft Inducer will compensate for lack of air by supplementing the chimney's natural draft.
- To Create Draft in Cold Chimneys**
 A chimney, especially on an outside wall, may be so cold prior to starting a fire that no draft exists. A Type C Draft Inducer switched on before starting the fire will provide draft until the chimney has become hot enough to generate a natural draft.
- To Prevent Occasional or Continuous Smoking**
 Occasional smoking may be the result of several factors including downdraft caused by adjacent buildings, terrain or trees. Remodeling, new additions, or the addition of an exhaust fan can change air flows and result in poor draft. Or a fireplace design inadequacy, such as an undersized flue, may prevent adequate draft.

Motor Information							Speed Control		
Inducer Size	Volts	Amps	Watts	Hz	RPMs	Max. Hearth Opening	Volts	Amps	Hz
6" Type C	115	.81	57	60	1550	3.5 sq. ft.	115	6	60
8" Type C	115	.81	57	60	1550	7 sq. ft.	115	6	60
10" Type C	115	3.75	252	60	1050	12 sq. ft.	115	6	60
13" Type C	115	3.75	252	60	1050	30 sq. ft.	115	6	60



Model	Dimensions (inches)				Max. Hearth Opening
	A	B	C	D	
6" C Draft Inducer	5 ⁵ / ₁₆	16	3 ¹ / ₂	14 ³ / ₄	3.5 sq. ft.
8" C Draft Inducer	7 ¹ / ₁₆	16	3 ³ / ₈	14 ³ / ₄	7 sq. ft.
10" C Draft Inducer	10	16	3 ³ / ₈	14 ³ / ₄	12 sq. ft.
13" C Draft Inducer	13	16	3	14 ³ / ₄	30 sq. ft.

– E.&O.E. – May not be in stock at all branches, if so please allow 10 days for delivery. –
 – All Prices F.O.B. Our Warehouse – Subject to Change Without Notice – All Taxes Extra –