

GARBAGE AND LINEN CHUTE COMPONENTS

INDEX

ACCESSORIES.....	14-5
CONTAINERS	14-7
COMPACTOR / CONTAINER — YC/C	14-6
STANDARD GARBAGE INTAKE DOOR — YS.....	14-2
STAINLESS STEEL LINEN INTAKE DOOR — YSSL.....	14-4
TOWER RECYCLING INTAKE DOOR — YTR.....	14-3

This section contains product and technical information only.
For additional information and product pricing please contact your local **ECCO** Sales Branch.

ECCO is proud to be a member of:



ASHRAE
American Society of
Heating, Refrigerating, and
Air-Conditioning Engineers, Inc.
www.ashrae.org



HRAI
Heating, Refrigeration
and Air Conditioning
Institute of Canada
www.hrai.ca



HARDI
Heating, Airconditioning &
Refrigeration Distributors
International
www.hardinet.org



SMACNA
Sheet Metal and Air
Conditioning Contractors'
National Association
www.smacna.org



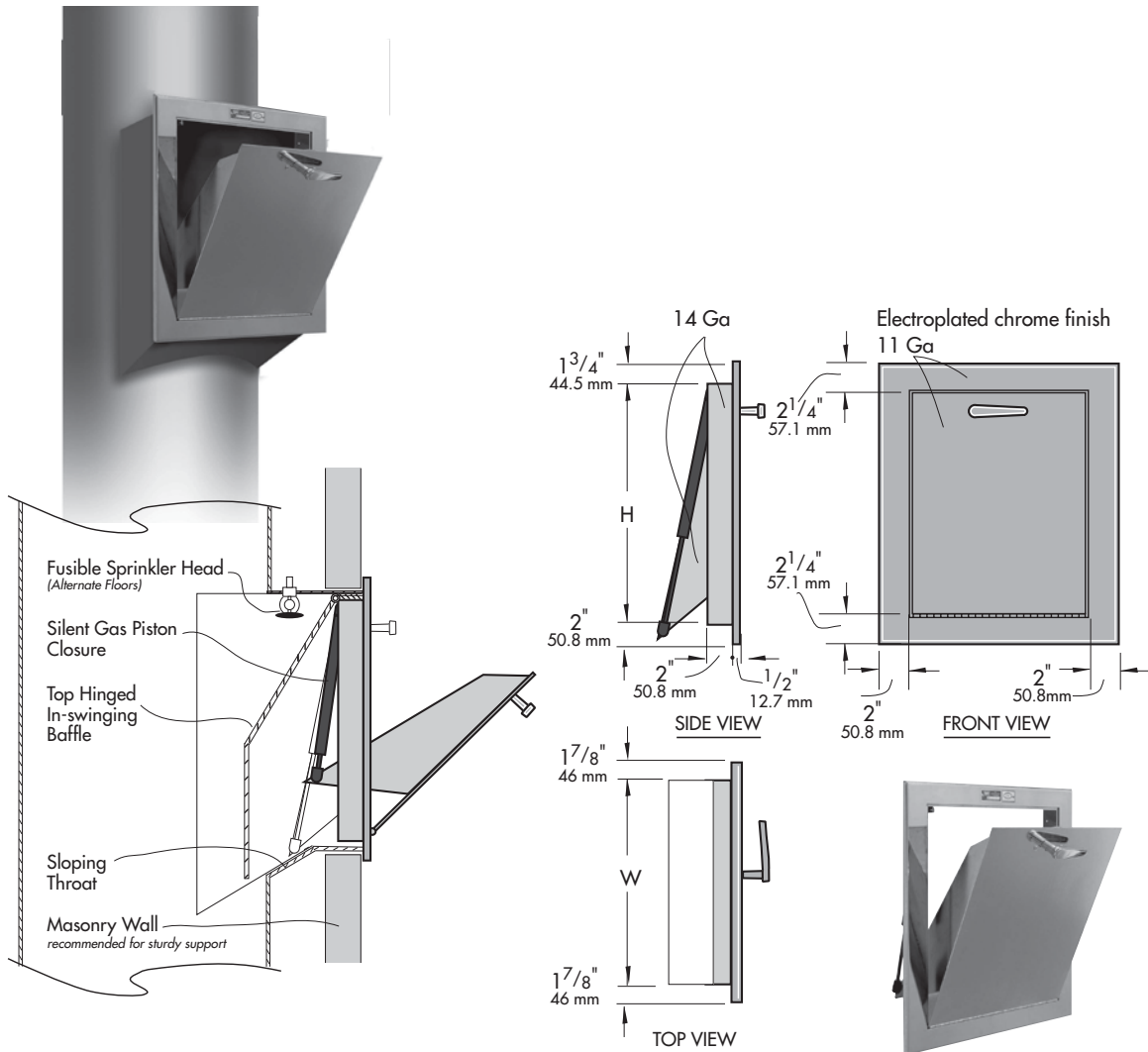
SPIDA
Spiral Duct
Manufacturers
Association
www.spida.org

GARBAGE AND LINEN CHUTE COMPONENTS

YS — STANDARD GARBAGE INTAKE DOOR

2 Hour fire rated door. Warnock-Hersey tested.

- Bottom hinged, hand operated door
- Electroplated chrome finishes
- Silent self-closing, self-latching mechanism
- Rugged handles with chrome plated finishes
- Welded steel construction throughout; door and frame in 11 Ga; Basket in 14 Ga
- Engineered for easy maintenance and parts replacement
- No exposed fasteners on installed unit



Available sizes of YS model
(Custom sizes available upon request)

W	16 ³ / ₈ 415.9	15 ³ / ₈ 390.5	15 381	14 355.6	14 355.6	13 330.2	12 ¹ / ₂ 317.5	12 ¹ / ₄ 311.1	12 304.8	12 304.8	12 304.8	11 ¹ / ₂ 292.1	11 279.4	inch mm
H	18 ³ / ₈ 466.7	18 ³ / ₈ 466.7	15 381	17 431.8	15 381	16 406.4	14 ¹ / ₂ 368.3	13 ¹ / ₂ 342.9	16 406.4	14 355.6	12 304.8	13 330.2	16 406.4	inch mm

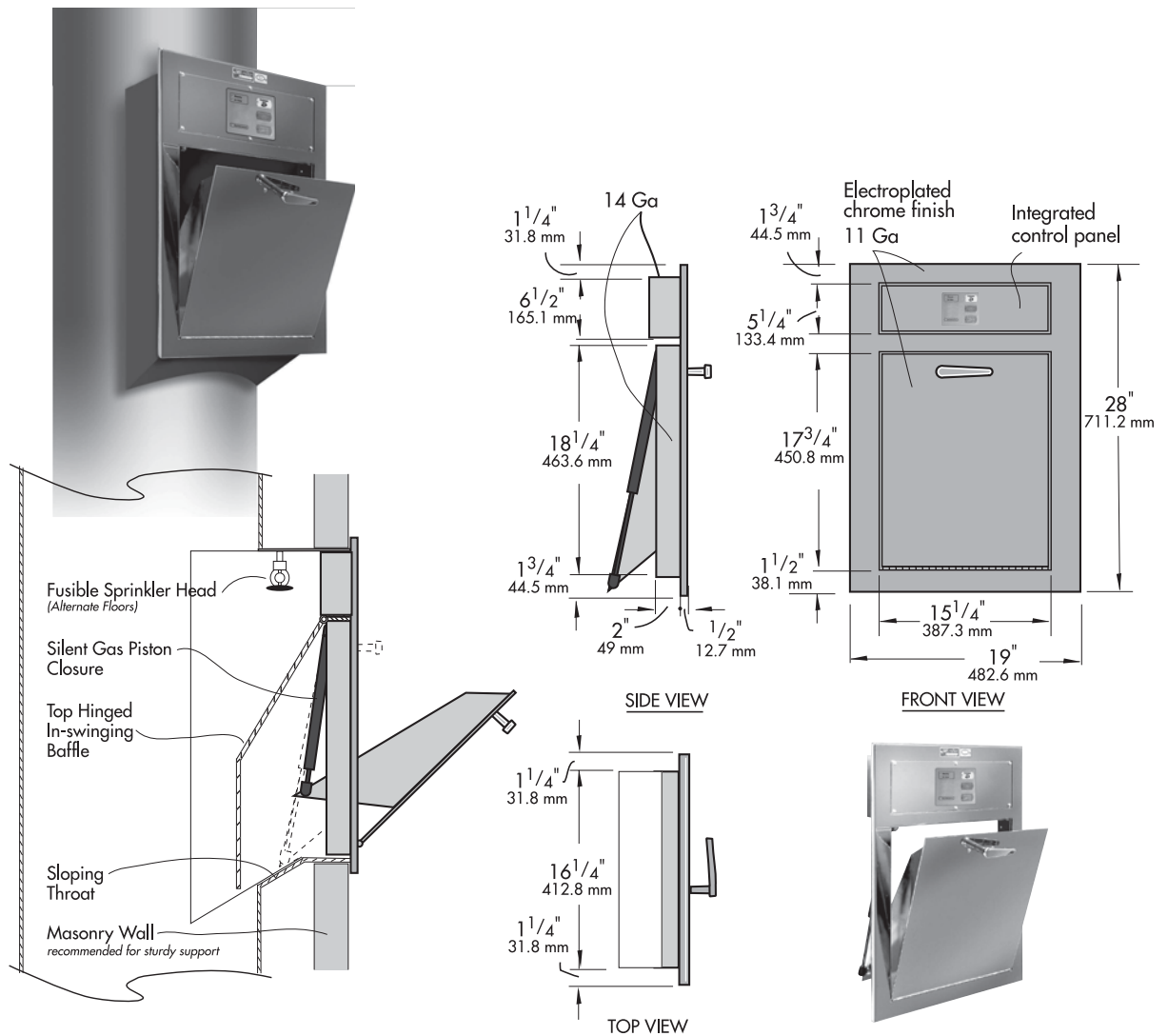
– E.&O.E. – May not be in stock at all branches, if so please allow 10 days for delivery. –
– All Prices F.O.B. Our Warehouse – Subject to Change Without Notice – All Taxes Extra –

GARBAGE AND LINEN CHUTE COMPONENTS

YTR — TOWER RECYCLING INTAKE DOOR

2 Hour fire rated door. Warnock-Hersey tested.

- Bottom hinged, hand operated door
- Electroplated chrome finish
- Silent self-closing, self-latching mechanism
- Rugged handles with chrome plated finishes
- Welded steel construction throughout; door and frame in 11 Ga; Basket in 14 Ga
- Engineered for easy maintenance and parts replacement
- No exposed fasteners on installed unit
- Integrated control panel for selective disposal



– E.&O.E. – May not be in stock at all branches, if so please allow 10 days for delivery. –
 – All Prices F.O.B. Our Warehouse – Subject to Change Without Notice – All Taxes Extra –

GARBAGE AND LINEN CHUTE COMPONENTS

YSSL — STAINLESS STEEL LINEN INTAKE DOOR

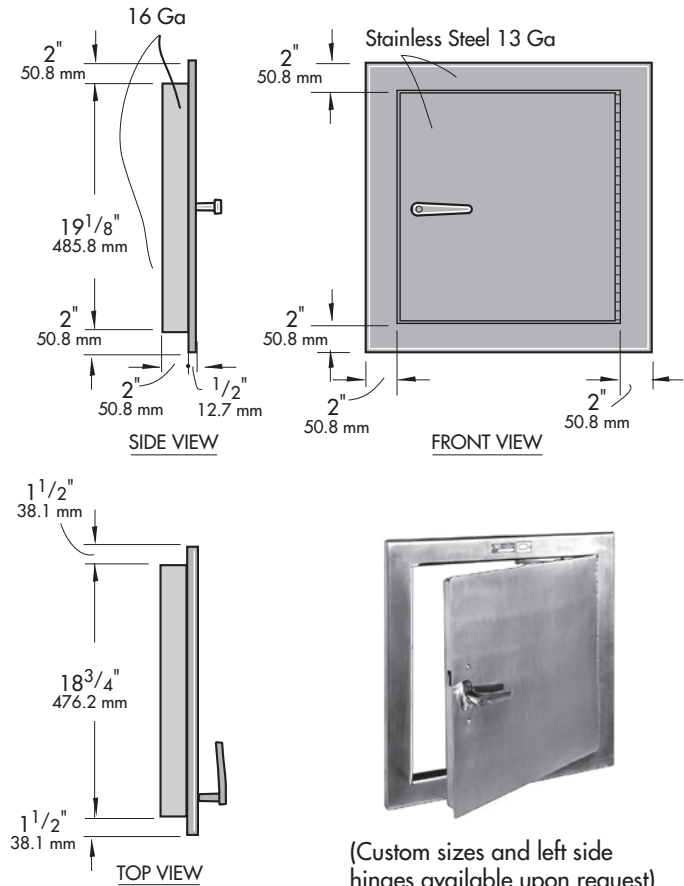
2 Hour fire rated door with Temperature Rise 60 min. 250°C.

Warnock-Hersey tested to CAN4S104*.

- Side hinged, hand operated door with 180° swing
- Brushed satin finish with silent self-closing, self-latching mechanism
- Solidly welded stainless steel: 13 Ga door and frame; 16 Ga basket
- Engineered for easy maintenance and parts replacement
- No exposed fasteners on installed unit



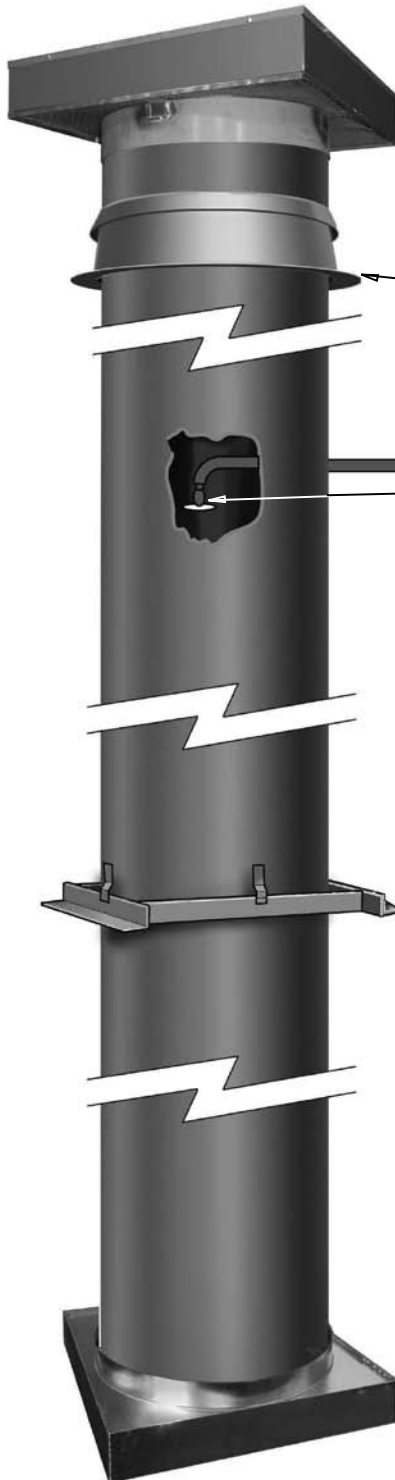
YSSL - RIGHT SIDE HINGED MODEL



- E.&O.E. - May not be in stock at all branches, if so please allow 10 days for delivery. -
 - All Prices F.O.B. Our Warehouse - Subject to Change Without Notice - All Taxes Extra -

GARBAGE AND LINEN CHUTE COMPONENTS

ACCESSORIES

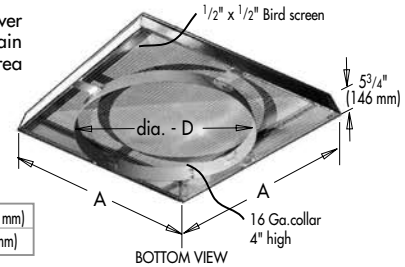


Top Cap Assembly

Top Cap to have a manually opened cover to allow 100% smoke release and rain shielded permanent venting equal in area to the cross sectional area of the chute. Fabricated with rust-proof hardware.

Tall Cone flashing & Storm collar to be installed above the roof

D	24 ¹ / ₈ " (613 mm)	22 ¹ / ₈ " (562 mm)	20 ¹ / ₈ " (510 mm)
A	31" (787 mm)	29" (737 mm)	27" (686 mm)

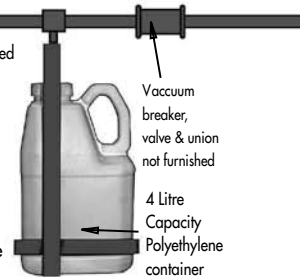


Disinfecting & Sanitizing Unit

Flushing Spray Head

Supplied only when specified

Disinfecting and Sanitizing Unit is a tank approximately 4 liters, complete with dispensing valve assembly, generally located above the uppermost intake door, which dispenses a concentrated disinfectant fluid into the wash down water, and has an on/off control to permit rinsing as well. Note: a vacuum breaker must be installed by the plumbing trade when being hooked up. To allow refilling when required, an access door must be installed in the wall in line with the Sanitizing unit.



Chute Riser & Anti-vibration Mounting

Chute Riser

Standard diameter 610 mm Aluminum, Aluminized Steel, Satin Coat, or Stainless Steel.

Beaded Slip Joint

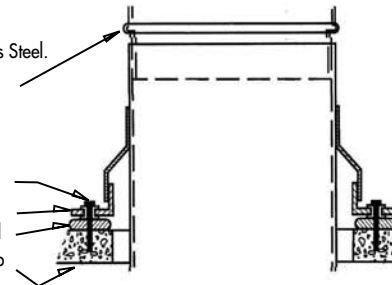
Anti-vibration Mounting

Floor Frame and Fastener

Rubber Grommet

Neoprene Pad

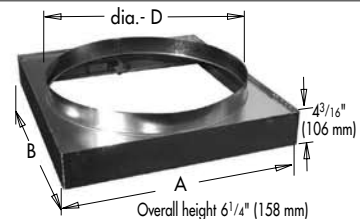
Floor Slab



Spring Load Fire Damper

D	24 ¹ / ₈ " (613 mm)	22 ¹ / ₈ " (562 mm)	20 ¹ / ₈ " (510 mm)
A	26 ³ / ₄ " (679 mm)	25 ⁷ / ₈ " (657 mm)	22 ³ / ₄ " (508 mm)
B	29 ¹ / ₄ " (740 mm)	29 ³ / ₄ " (756 mm)	25 ³ / ₄ " (655 mm)

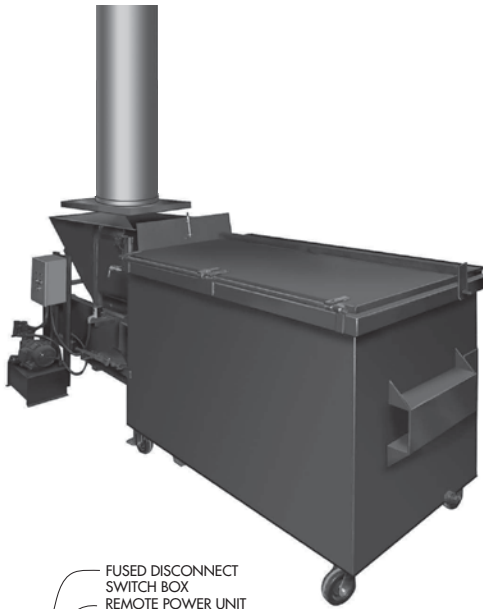
The horizontal direct type accordion door is most commonly used when discharging directly into a compactor and/or container. The damper has a 1 1/2 hr. ULC label and is held open on a 74°C spring loaded fusible link assembly. This door is intended only to provide smoke and fire protection to the chute riser.



- E.&O.E. - May not be in stock at all branches, if so please allow 10 days for delivery. -
 - All Prices F.O.B. Our Warehouse - Subject to Change Without Notice - All Taxes Extra -

GARBAGE AND LINEN CHUTE COMPONENTS

YC/C — COMPACTOR / CONTAINER



PERFORMANCE CHARACTERISTICS

Cycle time	38 sec.	
Total normal force	7,100 lb.	31kN
Total maximum force	8,900 lb	41 kN
Ram Penetration	5"	127 mm

HYDRAULIC EQUIPMENT

Hydraulic pump capacity	2 gpm	7.5 liter/min
Normal pressure	1,000 psi	6.9 mPa
Normal pressure (Toronto)	800 psi	5.5 mPa
Maximum pressure	1250 psi	8.6 mPa

Cylinder	bore	3"	76 mm
	stroke	30"	762 mm

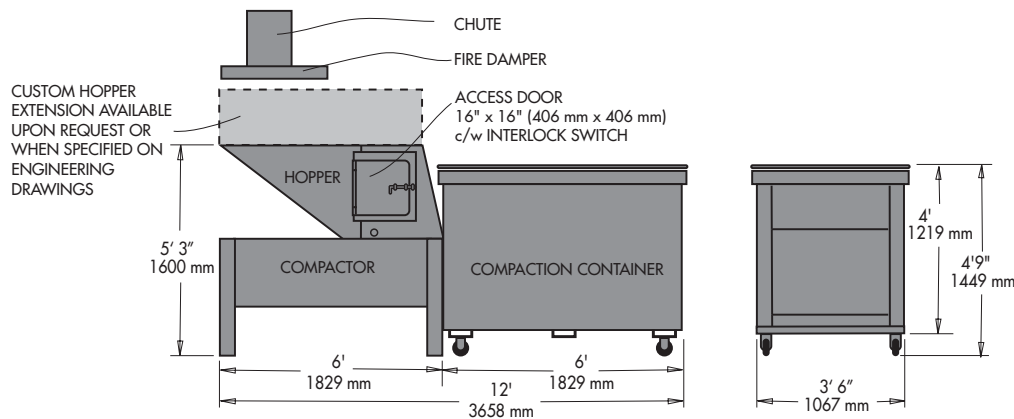
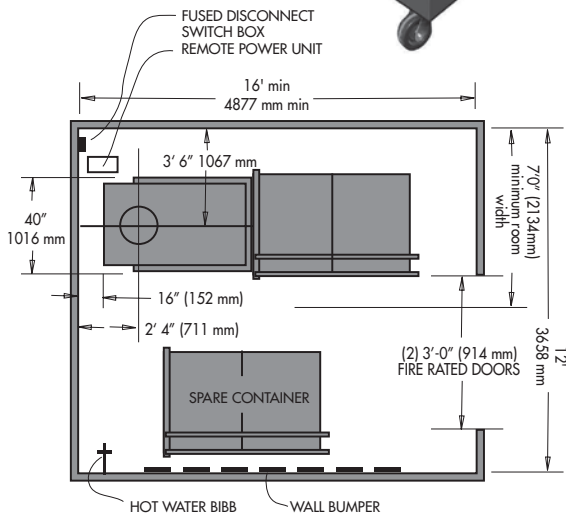
ELECTRICAL EQUIPMENT

Electrical motor 3/60 - 208/575	2 hp	1.47 kW
Electrical control voltage	120 VAC	120 VAC

- Standard controls
- Selector OFF/ON - power light
 - Full light - reset button
 - Automatic cycle start with photo cell

OPTIONS

- (Hi-Pak feature 3 hp (2.2 kW) electric motor c/w 4" 9 (101.6 mm) bore hydraulic cylinder
- Photocell start time delay (up to 10 seconds)
- 3/4 full light
- Deodorizer system



- E.&O.E. - May not be in stock at all branches, if so please allow 10 days for delivery. -
 - All Prices F.O.B. Our Warehouse - Subject to Change Without Notice - All Taxes Extra -

GARBAGE AND LINEN CHUTE COMPONENTS

CONTAINERS



———— Compactor Machines and Compaction Bins



———— Metal Bulk Recycling Container



———— Metal Bulk Organic Container

The actual chute is manufactured to your specifications at one of ECCO's custom fabrication facilities, www.eccocustommetalfabrication.com.

CONTACT YOUR LOCAL ECCO SUPPLY SALES BRANCH FOR PRICING AND DELIVERY.

*– E.&O.E. – May not be in stock at all branches, if so please allow 10 days for delivery. –
– All Prices F.O.B. Our Warehouse – Subject to Change Without Notice – All Taxes Extra –*