

PRIMEX VENTING/BUILDING PRODUCTS

www.primexconstruction.com

INDEX

ACCESS PANELS	14-15
DIFFUSERS — CEILING AND SIDEWALL — INDOOR	
WG SERIES — ADJUST-A-VENT CEILING	14-3
WGX SERIES — TRUE-FLOW VENT	14-3
INTRODUCTION	14-2
SQUEEZE ELBOW — EB4X90 — 90° / ACCESSORIES	14-6
TRIM PLATES	14-15 – 14-17
VENTS	
EXHAUST / DRYER	
DV4 SERIES — DRYER / EXHAUST VENT (NO SCREEN)	14-12
ROOF	
RVL28 SERIES / ACCESSORIES (SNAP-IN ADAPTER)	14-7
RV20 SERIES — LOW PROFILE ROOF VENT	14-8
RV28 SERIES — GOOSE NECK ROOF VENT / ACCESSORIES (SNAP-IN ADAPTER)	14-9
SOFFIT	
RDV SERIES	14-6
SV28 — SOFFIT INTAKE AND EXHAUST VENT / ACCESSORIES (SNAP-IN ADAPTER)	14-4
SV SERIES	14-4
SV6X9	14-5
SV156 SERIES — SLAB DUCT	14-5
WALL	
RANGE HOOD	14-11
WC SERIES — INTAKE AND EXHAUST	14-10 – 14-11
WCD AND WCT SERIES — DOUBLE AND TRIPLE INTAKE AND EXHAUST	14-12
WCL SERIES — LOW PROFILE INTAKE AND EXHAUST	14-13
WALL CAPS — EXTENDED BRICK	
WCX — DOME COVER	14-14
WCXF — FLAT COVER	14-14

ECCO is proud to be a member of:



ASHRAE

American Society of
Heating, Refrigerating, and
Air-Conditioning Engineers, Inc.
www.ashrae.org



HRAI

Heating, Refrigeration
and Air Conditioning
Institute of Canada
www.hrai.ca



HARDI

Heating, Airconditioning &
Refrigeration Distributors
International
www.hardinet.org



SMACNA

Sheet Metal and Air
Conditioning Contractors'
National Association
www.smacna.org



SPIDA

Spiral Duct
Manufacturers
Association
www.spida.org

PRIMEX VENTING/BUILDING PRODUCTS

www.primexconstruction.com

INTRODUCTION

What is a Rainscreen?

Architects and designers seeking better moisture management and energy efficiency from the exteriors of their projects are turning to rain screens as a solution

for both. A Rain Screen is an exterior cladding infrastructure that sits away from a building's outside wall's weather-resistant barrier, creating a cavity that allows weather-related moisture to easily pass through and away from the building. The air that flows between the rain screen and the wall accelerates evaporation of any residual moisture.

INTAKE / EXHAUST VENTS



RV2068 - Dark Brown



SV2801 - Snow White



RV2831 - Light Grey



RVL2831 - Light Grey

WALL CAPS



WCXF668 - Dark Brown



WCX545 - Tan



WC631 - Light Grey



WC31045 - Tan



WC401NS - Snow White



WCL731 - Light Grey



WCT531 - Light Grey



WCD545 - Tan

TRIM PLATES



201R



201T



301R



301T



401S



501B



501T

- E.&O.E. - May not be in stock at all branches, if so please allow 10 days for delivery. -
- All Prices F.O.B. Our Warehouse - Subject to Change Without Notice - All Taxes Extra -

PRIMEX VENTING/BUILDING PRODUCTS

www.primexconstruction.com

CEILING AND SIDEWALL DIFFUSERS

WG SERIES — ADJUST-A-VENT CEILING DIFFUSER

Features:

- Dual Flow: Air supply or exhaust
- Strong stainless steel grip “clip”, provides a snug fit
- Extra thick foam gasket, allows for tight seal on uneven surfaces and provides quiet air flow
- Supplied lock nut fine tunes air flow settings
- Extra long collar simplifies installation
- Made from high strength polymer resin
- Easy to install and remove
- Very quiet during operation



Colour: Snow White (01). Custom colours available by special order — P.O.A.

STOCK #	MODEL	DESCRIPTION	DIA (")	FREE AREA (SQ IN)	CTN/QTY	PRICE/EA
683104	WG401	Adjustable Air Diffuser with Short Base for use with EB4X90	4	5.5	25	\$21.85
683105	WG501	Adjustable Air Diffuser	5	9.9	25	21.85
683106	WG601	Adjustable Air Diffuser	6	11.4	25	28.75

WGX SERIES — TRUE-FLOW VENT

Features:

- Dual Flow: Air supply or exhaust
- 5 sizes
- Increased air flow
- 4 Wing adjustment screw to set air flow
- Snap-on trim ring included
- Nearly “True Size” inner cavity
- Easy to install and remove
- Secure friction fit
- Added security of mounting screws through base flange
- Trim ring snaps into place over flange to hide mounting screws



Colour: Snow White (01)

STOCK #	MODEL	DESCRIPTION	DIA (")	FREE AREA (SQ IN)	CTN/QTY	PRICE/EA
683340	WGX4	Adjustable Air Diffuser	4	10.5	25	\$30.71
683342	WGX5	Adjustable Air Diffuser	5	16.9	25	34.76
683344	WGX6	Adjustable Air Diffuser	6	25.1	25	39.86
683346	WGX7	Adjustable Air Diffuser	7	35.5	15	67.29
683348	WGX8	Adjustable Air Diffuser	8	45.5	15	67.29

– E.&O.E. – May not be in stock at all branches, if so please allow 10 days for delivery. –
– All Prices F.O.B. Our Warehouse – Subject to Change Without Notice – All Taxes Extra –

PRIMEX VENTING/BUILDING PRODUCTS

www.primexconstruction.com

SOFFIT VENTS

SV28 — SOFFIT INTAKE AND EXHAUST VENT

Features:

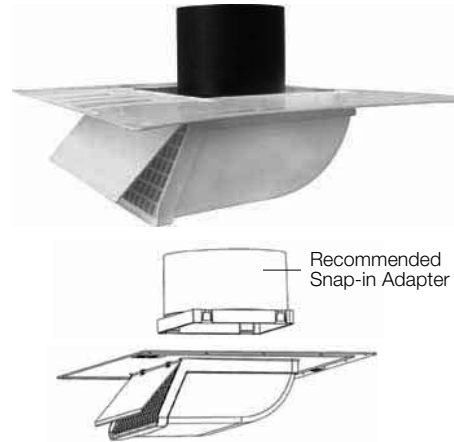
- Low profile one piece molded hood eliminates leaky joints and provides maximum water protection
- Optional screen and removable damper
- Available for intake or exhaust applications
- Snap-in adapters ensure a tight seal
- Quick and easy to install
- Made with UV protected polymer resin

Approximate Sizes:

Flange: 16-1/4" × 18-5/8"

Hood: 10-1/4" × 10-1/2" × 4-3/8"

Colours: Snow White (01), Taupe (23)



STOCK #	MODEL	DESCRIPTION	COLOUR	FREE AREA (SQ IN)	CTN/QTY	PRICE/EA
683250	SV2801	Soffit Vent	Snow White – 01	27.6	6	\$37.00
683251	SV2823	Soffit Vent	Taupe – 23	40.3	6	37.00
683252	SV2801NS	Soffit Vent	Snow White – 01	27.6	6	37.00
683253	SV2823NS	Soffit Vent	Taupe – 23	40.3	6	37.00

NOTE: NS = No Bird Screen.

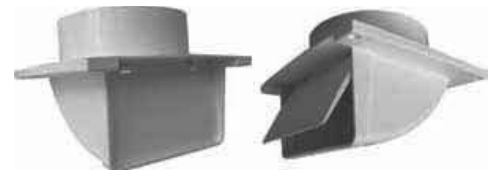
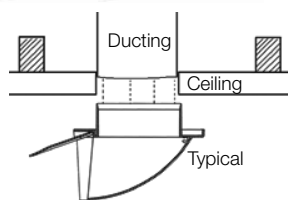
ACCESSORIES (SNAP-IN ADAPTER)

STOCK #	MODEL	DESCRIPTION	DIA (")	FREE AREA	CTN/QTY	PRICE/EA
683150	RV28-4	Snap-In Adapter	4	12.6 sq. in.	30	\$14.00
683151	RV28-5	Snap-In Adapter	5	19.6 sq. in.	30	14.00
683152	RV28-6	Snap-In Adapter	6	27.6 sq. in./27.6/28.3 N.S.	25	14.00
683153	RV28-7	Snap-In Adapter	7	27.6 sq. in./27.6/38.5 N.S.	25	14.00
683154	RV28-8	Snap-In Adapter	8	27.6 sq. in./27.6/40.3 N.S.	18	14.00

SV SERIES

Features:

- Low profile one piece design is less obtrusive than traditional vents
- Models for 4" and 5" ducting
- No leaky seams on the vent hood
- Made from UV stabilized polymer resin



Colours: Snow White (01), Taupe (23)

STOCK #	MODEL	DESCRIPTION	DIA (")	COLOUR	FREE AREA (SQ IN)	CTN/QTY	PRICE/EA
683127	SV401	Soffit Vent with Damper	4	Snow White – 01	12.6	24	\$16.35
683146	SV423	Soffit Vent with Damper	4	Taupe – 23	12.6	24	16.35
683128	SV501	Soffit Vent with Damper	5	Snow White – 01	13.3	24	17.20
683129	SV523	Soffit Vent with Damper	5	Taupe – 23	13.3	24	17.20

– E.&O.E. – May not be in stock at all branches, if so please allow 10 days for delivery. –
– All Prices F.O.B. Our Warehouse – Subject to Change Without Notice – All Taxes Extra –

PRIMEX VENTING/BUILDING PRODUCTS

www.primexconstruction.com

SOFFIT VENTS (cont'd)

SV156 SERIES — SLAB DUCT SOFFIT VENT

Features:

- Molded one piece base
- Fits most brands of slab duct
- Removable damper for intake applications
- Manufactured to replace the standard metal discharge hoods currently available
- Low profile one piece molded hood eliminates leaky joints and maximizes water protection
- Made from UL listed VO polymer
- UV stabilized
- Hoods are easily cleaned or replaced



Approximate Sizes:

Flange: 6" x 15"

Hood: 4-7/16" x 12-1/16"

Colours: Snow White (01), Light Grey (31)

STOCK #	MODEL	DESCRIPTION	DIA (")	FREE AREA (SQ IN)	CTN/QTY	PRICE/EA
683145	SV156	Slab Duct Soffit Vent	4	27.8	24	\$38.26

SV6X9

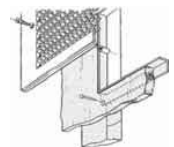
Features:

- Molded-in mesh screen
- Comes with 2 installation screws
- The SV6X9 may be installed with or without the access frame
- Made from UV stabilized polymer resin
- Easy to install

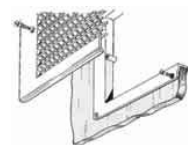


Colour: Snow White (01)

STOCK #	MODEL	DESCRIPTION	SIZE (")	FREE AREA (SQ IN)	CTN/QTY	PRICE/EA
683121	SV6X9-S	Rectangular Soffit Vent – Screen Vent	6 x 9	15.7	22	\$20.00
683122	SV6X9-SF	Vent Kit: Screen And Access Frame	6 x 9	15.7	22	24.00



Reverse Mount Installation



Flush Mount Installation

– E.&O.E. – May not be in stock at all branches, if so please allow 10 days for delivery. –
 – All Prices F.O.B. Our Warehouse – Subject to Change Without Notice – All Taxes Extra –

PRIMEX VENTING/BUILDING PRODUCTS

www.primexconstruction.com

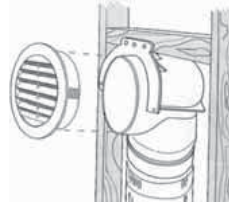
SOFFIT VENTS (cont'd)

RDV SERIES

Features:

- Extra long collar for better hose or duct connection
- Molded-in mesh screen
- 4 available sizes
- Secure friction fit
- Made from UV stabilized polymer resin

Colours: Snow White (01).



4" Round Vent installed with Primex's 'Squeeze Elbow' EB4x90



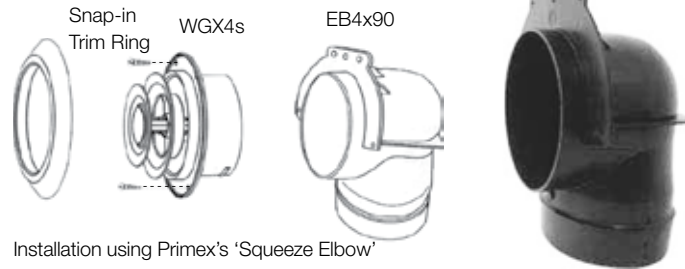
STOCK #	MODEL	DESCRIPTION	DIA (")	FREE AREA (SQ IN)	CTN/QTY	PRICE/EA
683112	RDV-2S	Round, Screened Soffit Vent	2	1.1	50	\$4.00
683114	RDV-4S	Round, Screened Soffit Vent	4	4.0	70	8.40
683115	RDV-5S	Round, Screened Soffit Vent	5	6.4	50	10.00
683116	RDV-6S	Round, Screened Soffit Vent	6	10.3	30	11.05

EB4X90 — 90° SQUEEZE ELBOW

Features:

- Impact resistant polymer resin. 4" x 90° plastic stack hood elbow
- Compatible with several 4" diameter Primex vents
- Designed to fit inside 2" x 4" walls
- Works well with WG4, WGX4S and RDV4
- Easy installation
- Quick rough-in

Colour: Black (11)



Installation using Primex's 'Squeeze Elbow'

STOCK #	MODEL	DESCRIPTION	DIA (")	CTN/QTY	PRICE/EA
683092	EB4X90	Squeeze Elbow	4	25	\$8.95

EB4X90 is compatible with Models listed below:

MODEL	DIAMETER (")	DESCRIPTION	CTN/QTY	FREE AREA
DV401	4	Dryer Vent	24	12.6
RDV4S	4	Round, Screened Soffit Vent	70	4.00
SV401	4	Soffit Vent	24	12.6
WG401	4	Air Diffuser	25	5.5
WGX4S	4	Adjust-A-Vent air diffuser with short base	25	10.5
WC401	4	Wall Cap	25	9.5

– E.&O.E. – May not be in stock at all branches, if so please allow 10 days for delivery. –
– All Prices F.O.B. Our Warehouse – Subject to Change Without Notice – All Taxes Extra –

PRIMEX VENTING/BUILDING PRODUCTS

www.primexconstruction.com

ROOF VENTS

RVL28 SERIES / WC28 WALL CAP

Features:

- Enhances aesthetics with low profile that blends in with roof
- Keep inventories low with single hood size and separate 4 to 8 inch easy snap-in adapters
- Increases installation options because it can be used on steep slope roof (<60 degrees) and even as a wall cap (WC28)
- Eliminates leaky joints and maximizes water protection with one piece, molded hood
- Ensures watertight installation with over-sized flange
- Long lasting durability with UV protected, impact resistant polymer resin
- Simple intake/exhaust conversion via removable damper

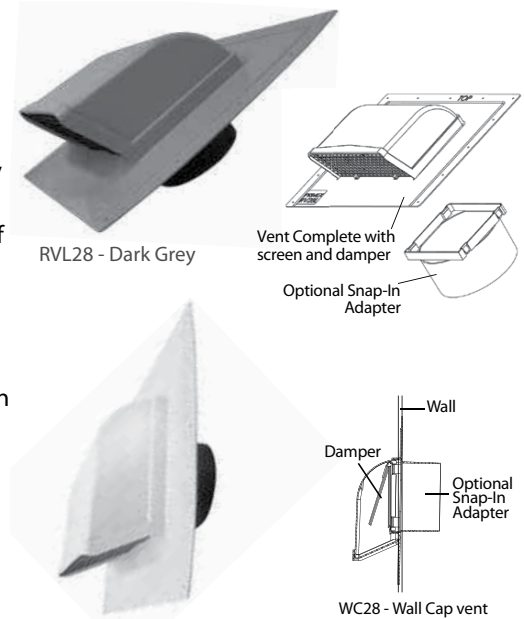
Applications:

- Through-roof exhaust of dryers, bathroom and kitchen fans, stove vents
- Intake for furnaces, fresh air make-up, attic venting

Notes and Specs:

- For dryer applications Primex recommends "No bird screen (NS)" model
- For steep roof (<60 degrees) and vertical wall applications, order WC28 model
- Free Area = 27.8 sq. in. (179.4 square cm)
- Hood Size: 10-1/4" x 10-1/2" x 4-3/8"
- Flange Size: 16-1/4" x 18-5/8"
- Standard configuration of RVL28 and WC28 come with removable screen and damper
- RV28 adapters sold separately

Colours: RVL28 – Black (25), Dark Brown (68), Light Grey (31), Dark Grey (28)
WC28 – Light Grey (31), Snow White (01), Tan (45), Taupe (23)



STOCK #	MODEL	DESCRIPTION	COLOUR	FREE AREA (SQ IN)	CTN/QTY	PRICE/EA
683286	RVL2825	Roof Mount: Intake Exhaust Vent	Black – 25	27.8	6	\$38.00
683287	RVL2828	Roof Mount: Intake Exhaust Vent	Dark Grey – 28	27.8	6	38.00
683288	RVL2868	Roof Mount: Intake Exhaust Vent	Dark Brown – 68	27.8	6	38.00
683289	RVL2828NS	Roof Mount: Intake Exhaust Vent	Dark Grey – 28	40.3	6	38.00
C683091	WC28	Wall Cap: Intake Exhaust Vent	–	27.8	6	P.O.A.
C683091	WC28NS	Wall Cap: Intake Exhaust Vent	–	40.3	6	P.O.A.

NOTE: NS = No Bird Screen.

ACCESSORIES (SNAP-IN ADAPTER)

STOCK #	MODEL	DESCRIPTION	DIA (")	FREE AREA	CTN/QTY	PRICE/EA
683150	RV28-4	Snap-In Adapter	4	12.6 sq. in.	30	\$14.00
683151	RV28-5	Snap-In Adapter	5	19.6 sq. in.	30	14.00
683152	RV28-6	Snap-In Adapter	6	27.6 sq. in./28.3 N.S.	25	14.00
683153	RV28-7	Snap-In Adapter	7	27.6 sq. in./38.5 N.S.	25	14.00
683154	RV28-8	Snap-In Adapter	8	27.6 sq. in./40.3 N.S.	18	14.00

– E.&O.E. – May not be in stock at all branches, if so please allow 10 days for delivery. –
– All Prices F.O.B. Our Warehouse – Subject to Change Without Notice – All Taxes Extra –

PRIMEX VENTING/BUILDING PRODUCTS

www.primexconstruction.com

ROOF VENTS (cont'd)

RV20 SERIES — LOW PROFILE ROOF VENT

Features:

- Eliminates leaky joints and maximizes water protection with one piece molded hood
- Ensures watertight installation with over-sized flange
- Long lasting durability with UV protected, impact resistant polymer resin
- Compatible with 4 or 5 inch ducting with included RV45 easy snap-in adapter
- Simple intake/exhaust conversion via removable damper
- Quick and easy installation with installer-friendly packaging (i.e. vent/adaptor bagged together)

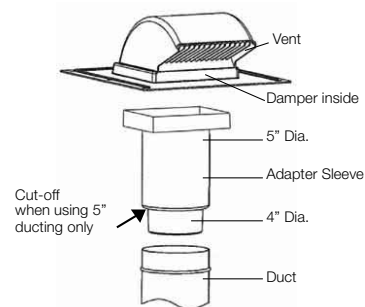


Applications:

- Through-roof exhaust of dryers, bathroom and kitchen fans, stove vents
- Intake for furnaces, fresh air make-up, attic venting

Notes and Specs:

- For dryer applications Primex recommends "No bird screen (NS)" model
- Free area = 20 sq. in. (129 square cm)
- Hood Size: 6.5" x 6.88" x 4.88"
- Standard configuration of RV20 Kit comes with screen, damper and RV45 Adapter



Colours: Black (25), Dark Brown (68), Dark Grey (28), Light Grey (31), Tan (45)

STOCK #	MODEL	DESCRIPTION	COLOUR	FREE AREA (SQ IN)	CTN/QTY	PRICE
683167	RV2025KIT	Roof Mount: Intake/Exhaust Vent	Black – 25	20.9	10	\$38.00
683168	RV2028KIT	Roof Mount: Intake/Exhaust Vent	Dark Grey – 28	20.9	10	38.00
683169	RV2031KIT	Roof Mount: Intake/Exhaust Vent	Light Grey – 31	20.9	10	38.00
683170	RV2045KIT	Roof Mount: Intake/Exhaust Vent	Tan – 45	20.9	10	38.00
683171	RV2068KIT	Roof Mount: Intake/Exhaust Vent	Dark Brown – 68	20.9	10	38.00
683172	RV2025KITNS	Roof Mount: Intake/Exhaust Vent	Black – 25	21.4	10	38.00
C683091	RV2028KITNS	Roof Mount: Intake/Exhaust Vent	Dark Grey – 28	21.4	10	P.O.A.
C683091	RV2031KITNS	Roof Mount: Intake/Exhaust Vent	Light Grey – 31	21.4	10	P.O.A.
C683091	RV2045KITNS	Roof Mount: Intake/Exhaust Vent	Tan – 45	21.4	10	P.O.A.
683173	RV2068KITNS	Roof Mount: Intake/Exhaust Vent	Dark Brown – 68	21.4	10	38.00

NOTE: NS = No Bird Screen.

Flexible duct not included with kit.

PRIMEX VENTING/BUILDING PRODUCTS

www.primexconstruction.com

ROOF VENTS (cont'd)

RV28 SERIES — GOOSE NECK ROOF VENT

Features:

- Provides all-weather ventilation with 5" of additional height for snow clearance
- Maximize inventory turns with single hood size and separate 4 to 8 inch easy snap-in adapters
- Eliminates leaky joints and maximizes water protection with one piece, molded hood
- Ensures watertight installation with over-sized flange
- Long lasting durability with UV protected, impact resistant polymer resin
- Simple intake/exhaust conversion via removable damper

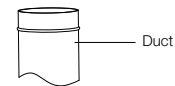
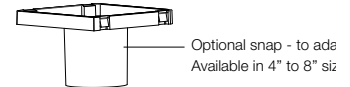
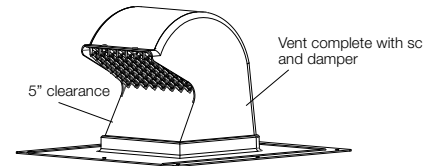
Applications:

- Through-roof exhaust of dryers, bathroom and kitchen fans, stove vents
- Intake for furnaces, fresh air make-up, attic venting

Notes and Specs:

- For dryer applications Primex recommends "No bird screen (NS)" model
- Free Area = 26.5 sq. in. (171 square cm)
- Hood Size: 7.5" x 7.25" x 9.38"
- Standard configuration of RV28 comes with removable screen and damper
- RV28 adapters sold separately

Colours: Black (25), Dark Brown (68), Dark Grey (28), Light Grey (31), Tan (45)



STOCK #	MODEL	DESCRIPTION	COLOUR	FREE AREA (SQ. IN)	CTN/QTY	PRICE/EA
683140	RV2825	Exhaust Vent with Screen	Black – 25	26.5	5	\$35.00
683143	RV2828	Exhaust Vent with Screen	Dark Grey – 28	26.5	5	35.00
683142	RV2831	Exhaust Vent with Screen	Light Grey – 31	26.5	5	35.00
683144	RV2868	Exhaust Vent with Screen	Dark Brown – 68	26.5	5	35.00

ACCESSORIES (SNAP-IN ADAPTER)

STOCK #	MODEL	DESCRIPTION	DIA (")	FREE AREA	CTN/QTY	PRICE/EA
683150	RV28-4	Snap-In Adapter	4	12.6 sq. in.	30	\$14.00
683151	RV28-5	Snap-In Adapter	5	19.6 sq. in.	30	14.00
683152	RV28-6	Snap-In Adapter	6	26.5 sq. in./28.3 N.S.	25	14.00
683153	RV28-7	Snap-In Adapter	7	26.5 sq. in./38.5 N.S.	25	14.00
683154	RV28-8	Snap-In Adapter	8	26.5 sq. in./40.3 N.S.	18	14.00

– E.&O.E. – May not be in stock at all branches, if so please allow 10 days for delivery. –
– All Prices F.O.B. Our Warehouse – Subject to Change Without Notice – All Taxes Extra –

PRIMEX VENTING/BUILDING PRODUCTS

www.primexconstruction.com

WALL VENTS — EXTERIOR

WC SERIES — INTAKE AND EXHAUST VENTS

Features:

- Compatible with rain screen applications via extended base that compensates for cavity between wall and cladding
- Eliminates leaky joints and maximizes water protection with one piece molded hood and built-in drip edge
- Integrity of the "Building Envelope" is maintained via removable hood that makes cleaning or replacement simple
- Long lasting durability with UV protected, impact resistant, polymer resin
- Ensures watertight installation with over-sized flange

Applications:

- Through-wall exhaust of dryers, bathroom and kitchen fans, stove vents
- Intake for furnaces, fresh air make-up

Notes and Specs:

- For dryer applications Primex recommends "No bird screen (NS)" model
- Removable damper makes conversion of intake/exhaust simple

Colours: Snow White (01), Light Grey (31), Tan (45), Taupe (23), Dark Brown (68), Black (25), Dark Grey (28).

Coding Guide: NS = No Screen; FS = Bird Screen and Fine Screen



STOCK #	MODEL WITH BIRD SCREEN	MODEL WITH BIRD SCREEN & FINE SCREEN	MODEL NO SCREEN	COLLAR SIZE (")	DUCT DIA (")	COLOUR	FREE AREA (SQ IN)	CTN/ QTY	PRICE/EA
683094	WC401	WC401FS	-	4	4	Snow White - 01	9.5	25	\$20.90
683093	-	-	WC401NS	4	4	Snow White - 01	12.6	25	20.90
683133	WC423	WC423FS	-	4	4	Taupe - 23	9.5	25	20.90
683157	-	-	WC423NS	4	4	Taupe - 23	12.6	25	20.90
683109	WC425	WC425FS	-	4	4	Black - 25	9.5	25	20.90
683155	-	-	WC425NS	4	4	Black - 25	12.6	25	20.90
683126	WC428	-	-	4	4	Dark Grey - 28	9.5	25	20.90
683095	WC431	WC431FS	-	4	4	Light Grey - 31	9.5	25	20.90
683131	-	-	WC431NS	4	4	Light Grey - 31	12.6	25	20.90
683096	WC445	WC445FS	-	4	4	Tan - 45	9.5	25	20.90
683156	-	-	WC445NS	4	4	Tan - 45	12.6	25	20.90
683235	WC4P	-	-	4	4	Primed	9.5	-	49.99
683097	WC501	WC501FS	-	5	5	Snow White - 01	19.6	10	27.10
683103	-	-	WC501NS	5	5	Snow White - 01	19.6	10	27.10
683134	WC523	WC523FS	-	5	5	Taupe - 23	19.6	10	27.10
683160	-	-	WC523NS	5	5	Taupe - 23	19.6	10	27.10
683110	WC525	WC525FS	-	5	5	Black - 25	19.6	10	27.10
683135	-	-	WC525NS	5	5	Black - 25	19.6	10	27.10
683139	WC528	-	-	5	5	Dark Grey - 28	19.6	10	36.30
683098	WC531	WC531FS	-	5	5	Light Grey - 31	19.6	10	27.10
683159	-	-	WC531NS	5	5	Light Grey - 31	19.6	10	27.10
683099	WC545	WC545FS	-	5	5	Tan - 45	19.6	10	27.10
683158	-	-	WC545NS	5	5	Tan - 45	19.6	10	27.10
683132	WC568	WC568FS	WC568NS	5	5	Dark Brown - 68	19.6	10	36.30

NOTE: All vents come standard with a coarse bird screen. Stock number shown is for model with coarse bird screen except where noted.

(cont'd on next page)

- E.&O.E. - May not be in stock at all branches, if so please allow 10 days for delivery. -
- All Prices F.O.B. Our Warehouse - Subject to Change Without Notice - All Taxes Extra -

PRIMEX VENTING/BUILDING PRODUCTS

www.primexconstruction.com

WALL VENTS — EXTERIOR (cont'd)

WC SERIES — INTAKE AND EXHAUST VENTS (cont'd)

STOCK #	MODEL WITH BIRD SCREEN	MODEL WITH BIRD SCREEN & FINE SCREEN	MODEL NO SCREEN	COLLAR SIZE (")	DUCT DIA (")	COLOUR	FREE AREA (SQ IN)	CTN/ QTY	PRICE/EA
683236	WC5P	-	-	5	5	Primed	19.6	-	\$65.80
683100	WC601	WC601FS	-	6	6	Snow White - 01	28.3	10	29.50
683107	-	-	WC601NS	6	6	Snow White - 01	28.3	10	29.50
683136	WC623	WC623FS	-	6	6	Taupe - 23	28.3	10	29.50
683147	-	-	WC623NS	6	6	Taupe - 23	28.3	10	29.50
683111	WC625	WC625FS	-	6	6	Black - 25	28.3	10	29.50
683141	-	-	WC625NS	6	6	Black - 25	28.3	10	29.50
683120	WC628	-	-	6	6	Dark Grey - 28	28.3	10	38.75
683101	WC631	WC631FS	WC631NS	6	6	Light Grey - 31	28.3	10	29.50
683102	WC645	WC645FS	WC645NS	6	6	Tan - 45	28.3	10	29.50
683237	WC6P	-	-	6	6	Primed	28.3	-	68.46
683117	WC701	WC701FS	WC701NS	7	7	Snow White - 01	38.5	18	63.65
683137	WC723	WC723FS	WC723NS	7	7	Taupe - 23	38.5	18	63.65
683118	WC731	WC731FS	WC731NS	7	7	Light Grey - 31	38.5	18	63.65
683119	WC745	WC745FS	WC745NS	7	7	Tan - 45	38.5	18	63.65
683238	WC7P	-	-	7	7	Primed	38.5	-	113.75
683123	WC801	WC801FS	WC801NS	8	8	Snow White - 01	46.8	18	63.65
683138	WC823	WC823FS	WC823NS	8	8	Taupe - 23	46.8	18	63.65
683108	WC825	WC825FS	WC825NS	8	8	Black - 25	46.8	-	63.65
683124	WC831	WC831FS	WC831NS	8	8	Light Grey - 23	46.8	18	63.65
683125	WC845	WC845FS	WC845NS	8	8	Tan - 45	46.8	18	63.65
683239	WC8P	-	-	8	8	Primed	46.8	-	113.75

NOTE: All vents come standard with a coarse bird screen. Stock number shown is for model with coarse bird screen except where noted.

RANGE HOOD VENTS

Colours: Snow White (01), Light Grey (31), Tan (45), Dark Brown (68), Taupe (23), Black (25)



WC31045 - Tan Range Hood

STOCK #	MODEL	COLOUR	FREE AREA (SQ IN)	CTN/QTY	PRICE/EA
3" x 10" Wall Cap Vent — Use with 3" x 10" Register Boot or Slab Duct					
683193	WC31001	Snow White - 01	30.2	18	\$33.90
683194	WC31025	Black - 25	30.2	18	33.90
683195	WC31031	Light Grey - 31	30.2	18	33.90
683196	WC31045	Tan - 45	30.2	18	33.90
683197	WC31068	Dark Brown - 68	30.2	18	33.90
3-1/4" x 10" Range Hood Vent — Use With 3-1/4" x 10" Kitchen Transition					
683188	WC31001K	Snow White - 01	30.2	18	33.90
683189	WC31025K	Black - 25	30.2	18	33.90
683190	WC31031K	Light Grey - 31	30.2	18	33.90
683191	WC31045K	Tan - 45	30.2	18	33.90
683192	WC31068K	Dark Brown - 68	30.2	18	33.90

- E.&O.E. - May not be in stock at all branches, if so please allow 10 days for delivery. -
- All Prices F.O.B. Our Warehouse - Subject to Change Without Notice - All Taxes Extra -

PRIMEX VENTING/BUILDING PRODUCTS

www.primexconstruction.com

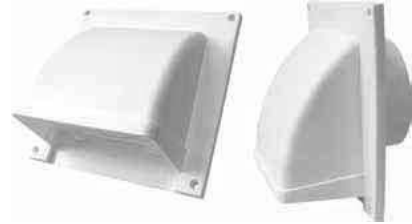
EXHAUST / DRYER VENTS

DV4 SERIES — DRYER / EXHAUST VENT (NO SCREEN)

Features:

- Low profile one piece design
- Accommodates 4" ducting
- No leaky seams on the vent hood
- Made from UV stabilized polymer resin

Colours: Snow White (01), Taupe (23)



STOCK #	MODEL	DESCRIPTION	SIZE (")	COLOUR	FREE AREA (SQ IN)	CTN/QTY	PRICE/EA
683240	DV401	Dryer/Exhaust Vent – No Screen	4	Snow White – 01	12.6	24	\$13.55
683241	DV423	Dryer/Exhaust Vent – No Screen	4	Taupe – 23	12.6	24	13.55

INTAKE AND EXHAUST VENTS

WCD AND WCT SERIES — DOUBLE AND TRIPLE INTAKE AND EXHAUST VENTS

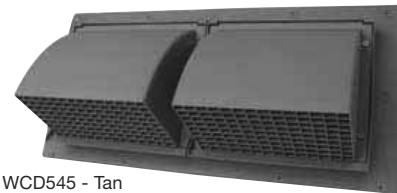
Features:

- Available with screen or full opening
- Vents can be ordered with or without screen
- Quick and easy to install
- Adaptable for intake or exhaust applications
- Wall cap vents include a drip edge on a flanged base to help guard against rain
- The hood is removable for cleaning or replacement and for line servicing without compromising the "Building Envelope"
- Assembled base
- Removable damper for intake or exhaust applications
- Made with UV protected polymer resin
- Highly resistant to mechanical impact

Colours: Black (25), Light Grey (31), Snow White (01), Tan (45), Taupe (23).



WCD531 - Light Grey



WCD545 - Tan

STOCK #	MODEL	DESCRIPTION	DIA (")	COLOUR	FREE AREA (SQ IN)	CTN/QTY	PRICE/EA
683270	WCD501	Double Wall Cap	5	Snow White – 01	2 × 19.6	6	\$187.00
683273	WCD523	Double Wall Cap	5	Taupe – 23	2 × 19.6	6	187.00
683271	WCD531	Double Wall Cap	5	Light Grey – 31	2 × 19.6	6	187.00
683272	WCD545	Double Wall Cap	5	Tan – 45	2 × 19.6	6	187.00
683274	WCD601	Double Wall Cap	6	Snow White – 01	3 × 25	6	187.00
683277	WCD623	Double Wall Cap	6	Taupe – 23	3 × 25	6	187.00
683275	WCD631	Double Wall Cap	6	Light Grey – 31	3 × 25	6	187.00
683276	WCD645	Double Wall Cap	6	Tan – 45	3 × 25	6	187.00
683278	WCT501	Triple Wall Cap	5	Snow White – 01	2 × 19.6	1	327.00
683281	WCT523	Triple Wall Cap	5	Taupe – 23	2 × 19.6	1	327.00
683279	WCT531	Triple Wall Cap	5	Light Grey – 31	2 × 19.6	1	327.00
683280	WCT545	Triple Wall Cap	5	Tan – 45	2 × 19.6	1	327.00
683282	WCT601	Triple Wall Cap	6	Snow White – 01	3 × 25	1	327.00
683285	WCT623	Triple Wall Cap	6	Taupe – 23	3 × 25	1	327.00
683283	WCT631	Triple Wall Cap	6	Light Grey – 31	3 × 25	1	327.00
683284	WCT645	Triple Wall Cap	6	Tan – 45	3 × 25	1	327.00

– E.&O.E. – May not be in stock at all branches, if so please allow 10 days for delivery. –
– All Prices F.O.B. Our Warehouse – Subject to Change Without Notice – All Taxes Extra –

PRIMEX VENTING/BUILDING PRODUCTS

www.primexconstruction.com

INTAKE AND EXHAUST VENTS (cont'd)

WCL SERIES — LOW PROFILE INTAKE AND EXHAUST VENT

Features:

- Attractive low profile design
- Fits 7" or 8" diameter ducts
- Bird Screen
- Quick and easy to install
- Adaptable for intake or exhaust applications
- Incorporated drip edge for superior rain water management
- Removable hood for line servicing without disturbing "Building Envelope"
- Molded one piece base
- Removable dampers for intake or exhaust applications
- Made with UV proteted polymer resin
- Highly resistant to mechanical impact



Low Profile Cap

Colours: Snow White (01), Light Grey (31), Tan (45), Taupe (23), Black (25).

STOCK #	MODEL	DESCRIPTION	DIA (")	COLOUR	FREE AREA (SQ IN)	CTN/QTY	PRICE/EA
683260	WCL701	Low Profile Wall Cap	7	Snow White – 01	38.5	26	\$63.65
683263	WCL723	Low Profile Wall Cap	7	Taupe – 23	38.5	26	63.65
683261	WCL731	Low Profile Wall Cap	7	Light Grey – 31	38.5	26	63.65
683262	WCL745	Low Profile Wall Cap	7	Tan – 45	38.5	26	63.65
683264	WCL801	Low Profile Wall Cap	8	Snow White – 01	50.3	26	63.65
683267	WCL823	Low Profile Wall Cap	8	Taupe – 23	50.3	26	63.65
683265	WCL831	Low Profile Wall Cap	8	Light Grey – 31	50.3	26	63.65
683266	WCL845	Low Profile Wall Cap	8	Tan – 45	50.3	26	63.65

– E.&O.E. – May not be in stock at all branches, if so please allow 10 days for delivery. –
– All Prices F.O.B. Our Warehouse – Subject to Change Without Notice – All Taxes Extra –

PRIMEX VENTING/BUILDING PRODUCTS

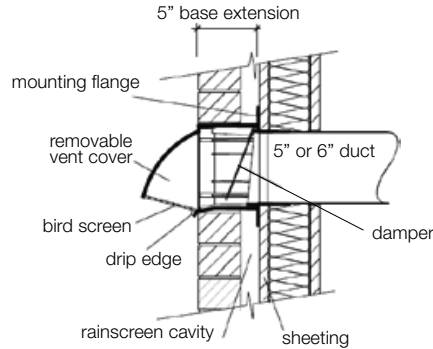
www.primexconstruction.com

EXTENDED WALL CAPS

WCX — DOME COVER

Features:

- Molded one piece base
- Incorporated drip edge for superior rain water management
- Suitable for brick and masonry walls
- Built-in bird screen
- Removable hood for line servicing without disturbing "Building Envelope"
- Removable damper for intake applications
- Available in 5" and 6" models
- Easy to install
- Made with UV protected polymer resin
- Highly resistant to mechanical impact



Colours: Dark Brown (68), Light Grey (31), Snow White (01), Tan (45), Taupe (23).

STOCK #	MODEL	DESCRIPTION	SIZE (")	COLOUR	FREE AREA (SQ IN)	CTN/QTY	PRICE
683244	WCX501	Extended Wall Cap	5	Snow White – 01	19.6	6	\$148.47
683245	WCX568	Extended Wall Cap	5	Dark Brown – 68	19.6	6	148.47
683246	WCX523	Extended Wall Cap	5	Taupe – 23	19.6	6	148.47
683247	WCX531	Extended Wall Cap	5	Light Grey – 31	19.6	6	148.47
683248	WCX545	Extended Wall Cap	5	Tan – 45	19.6	6	148.47
683254	WCX601	Extended Wall Cap	6	Snow White – 01	28.3	6	149.72
683255	WCX668	Extended Wall Cap	6	Dark Brown – 68	28.3	6	149.72
683256	WCX623	Extended Wall Cap	6	Taupe – 23	28.3	6	149.72
683257	WCX631	Extended Wall Cap	6	Light Grey – 31	28.3	6	149.72
683258	WCX645	Extended Wall Cap	6	Tan – 45	28.3	6	149.72

WCXF — FLAT COVER

Features:

- Molded one piece base
- Incorporated drip edge for superior rain water management
- Suitable for brick and masonry walls
- Flat screen for flush mount applications
- Built-in bird screen
- Removable screen for line servicing without disturbing "Building Envelope"
- Removable damper for intake applications
- Available in 5" and 6" models
- Made with UV protected polymer resin
- Highly resistant to mechanical impact
- Easy to install

Colours: Dark Brown (68), Light Grey (31), Snow White (01), Tan (45), Taupe (23).

STOCK #	MODEL	DESCRIPTION	SIZE (")	COLOUR	FREE AREA (SQ IN)	CTN/QTY	PRICE
683290	WCXF501	Extended Wall Cap	5	Snow White – 01	19.6	9	\$148.47
683291	WCXF568	Extended Wall Cap	5	Dark Brown – 68	19.6	9	148.47
683292	WCXF523	Extended Wall Cap	5	Taupe – 23	19.6	9	148.47
683293	WCXF531	Extended Wall Cap	5	Light Grey – 31	19.6	9	148.47
683294	WCXF545	Extended Wall Cap	5	Tan – 45	19.6	9	148.47
683295	WCXF601	Extended Wall Cap	6	Snow White – 01	28.3	9	149.72
683296	WCXF668	Extended Wall Cap	6	Dark Brown – 48	28.3	9	149.72
683297	WCXF623	Extended Wall Cap	6	Taupe – 23	28.3	9	149.72
683298	WCXF631	Extended Wall Cap	6	Light Grey – 31	28.3	9	149.72
683299	WCXF645	Extended Wall Cap	6	Tan – 45	28.3	9	149.72



– E.&O.E. – May not be in stock at all branches, if so please allow 10 days for delivery. –
– All Prices F.O.B. Our Warehouse – Subject to Change Without Notice – All Taxes Extra –

PRIMEX VENTING/BUILDING PRODUCTS

www.primexconstruction.com

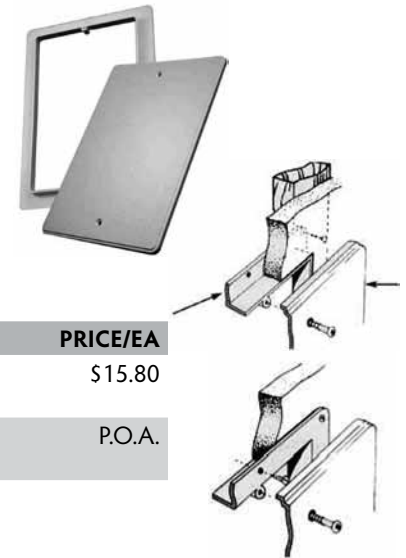
ACCESS PANELS

Features:

- Reversible frame
- 6" x 9" access opening
- Comes with 2 installation screws
- Low profile design. Ample room to work in
- Easy installation
- Made from high strength, polymer resin

Colour: Snow White (01)

STOCK #	MODEL	DESCRIPTION	SIZE (")	CTN/QTY	PRICE/EA
683130	AP6X9SW	Access Panel Kit Includes cover and frame	6 x 9	25	\$15.80
C683091	AP6X9	Panel Cover Only Frame not included	6 x 9	25	P.O.A.



Typical Installation

TRIM PLATES WITH DRIP EDGES



301B
applications:
Outdoor bells,
unfinished outlets



301R
applications:
Outdoor electrical
outlets and other
fittings



301T
applications:
Outdoor water pipe
fixtures before tap
installation



401B
applications:
Outdoor fixtures,
unfinished outlets



401S
applications:
Outdoor light
fixtures and dryer
vents

STOCK #	MODEL	DESCRIPTION	OPENING	SIZE (")	CTN/QTY	PRICE/EA
C683091	301B	Outdoor Bells/Unfinished Outlet	-	4.2 x 6.9 x 1.7	50	P.O.A.
C683091	301R	Electrical/Other	2.2" x 2.7"	4.2 x 6.9 x 1.7	50	P.O.A.
C683091	301T	Outdoor Hose Bib	3/4"	4.2 x 6.9 x 1.7	50	P.O.A.
683198	401B	Outdoor Fixtures/Unfinished Outlets	-	6.6 x 7.4 x 1.7	25	\$14.95
C683091	401S	Outdoor Light Fixtures and Dryer Vents	4" dia.	6.6 x 7.2 x 1.7	25	P.O.A.

Colour: Snow White (01).

- E.&O.E. - May not be in stock at all branches, if so please allow 10 days for delivery. -
- All Prices F.O.B. Our Warehouse - Subject to Change Without Notice - All Taxes Extra -

PRIMEX VENTING/BUILDING PRODUCTS

www.primexconstruction.com

REGULAR SERIES TRIM PLATE



201R
applications:
Electrical outlets and
other fittings



201T
applications:
Finish trim on outdoor
water tap other pipe
or cable installations.
Knockout hole
enlargement to 1 1/8 dia.



201R + 201W
applications:
Outdoor water
pipes fixtures after
tap installation



201W Adapter
applications:
Adapter for Primex's
201R & 301R trim
plates. 2 piece design
allows for use after
water tap installation



201S
applications:
Electrical fittings,
dryer vents



201SS
applications:
Screened vent plate

STOCK #	MODEL	DESCRIPTION	OPENING	SIZE (")	CTN/QTY	PRICE/EA
C683091	201R	Electrical Trim Plate	2.2" x 2.7"	4.2 x 5.9 x 0.9	50	P.O.A.
C683091	201T	Hose Bib	0.8" dia.	4.2 x 5.9 x 0.9	50	P.O.A.
C683091	201SS	Screened Vent Plate	-	6.4 x 6.4 x 0.9	50	P.O.A.
C683091	201S	Electrical/Dryer	-	6.4 x 6.4 x 0.9	50	P.O.A.
C683091	201W	Adapter for 201R/301R	0.8" dia.	4.2 x 6.9 x 1.7	500	P.O.A.

Colour: Snow White (01).

- E.&O.E. - May not be in stock at all branches, if so please allow 10 days for delivery. -
- All Prices F.O.B. Our Warehouse - Subject to Change Without Notice - All Taxes Extra -

PRIMEX VENTING/BUILDING PRODUCTS

www.primexconstruction.com

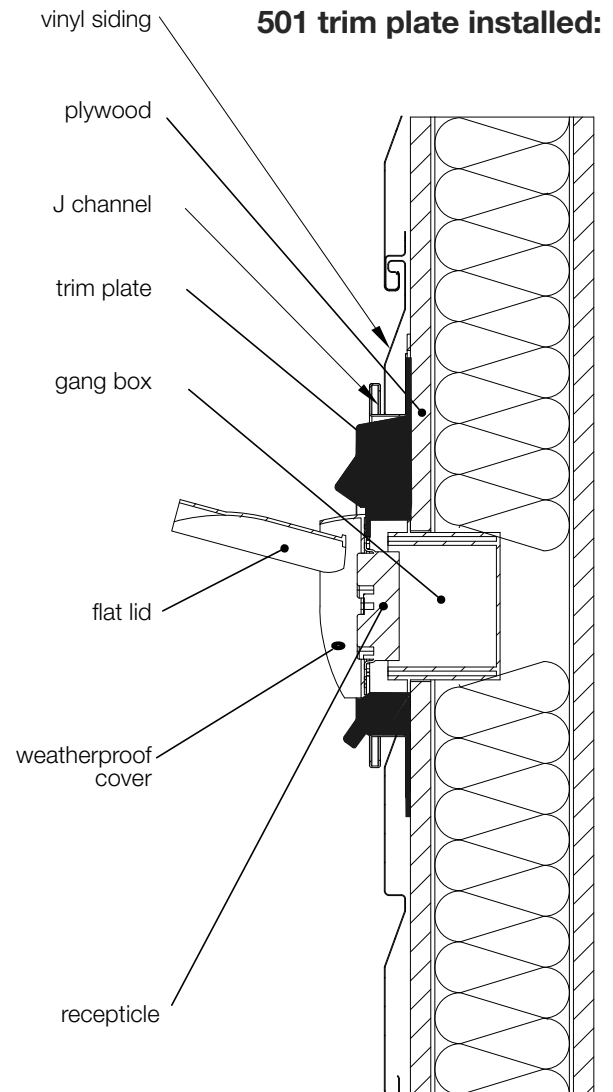
501 SERIES TRIM PLATE

Features:

- Easy installation saves time on the job site and reduces human error
- Eliminates leaky joints and maximizes water protection with one-piece mold and built-in drip edge
- Integrity of the "Building Envelope" is maintained with seamless mold
- Long lasting durability with UV protected, impact resistant, polymer resin
- Ensures watertight installation with over-sized flange
- Reduce injury with no sharp corners or metal edges that can cut or scrape
- Three versions – 501B (blank, custom fit), 501R (rectangular cut, electrical) 501T (round, plumbing fixtures)
- Door bells, HVAC Pipes, electrical outlets, water pipes
- 501T available for initial or after tap installation

Notes and Specs:

- 501 Series meets stringent requirements of the Alberta Building code that pertains to the "trimming out" of and building envelope penetrations
- 501 Series has double drip edge, 301 Series has single bottom drip edge



STOCK #	MODEL	DESCRIPTION	SIZE (")	CTN/QTY	PRICE/EA
683320	501B	Outdoor Bells/Unfinished Outlet	8.5 × 12 × 1.25	20	\$14.00
C683091	501R	Electrical/Other	8.5 × 12 × 1.25	20	P.O.A.
C683091	501T	Outdoor Hose Bib	8.5 × 12 × 1.25	20	P.O.A.

– E.&O.E. – May not be in stock at all branches, if so please allow 10 days for delivery. –
– All Prices F.O.B. Our Warehouse – Subject to Change Without Notice – All Taxes Extra –