

ARMSTRONG GAS FURNACES

www.armstrongair.com

INDEX

ACCESSORIES — HIGH EFFICIENCY GAS FURNACES — 90%+ PRODUCTS	
CONCENTRIC VENT KITS (90% ONLY).....	2-9
DOWNFLOW COMBUSTIBLE FLOORING BASE	2-9
HORIZONTAL SUSPENSION KIT	2-9
LP KITS	2-9
NIGHT SERVICE KITS.....	2-10
RETURN AIR BASES	2-9
FURNACE FILTER FRAMES	
NO DOOR.....	2-10
WITH 1" OR 4" DOOR.....	2-10
WITH DOOR	2-10
HIGH EFFICIENCY GAS FURNACES	
93% EFFICIENCY — A931D.....	2-8
95% EFFICIENCY — A95-2V.....	2-4 – 2-5
95% EFFICIENCY — A951D-A	2-7
95% STAINLESS — A951D-S.....	2-6
96% MODULATING — A96-MV.....	2-3
FEATURES AND BENEFITS	2-2
TECHNICAL DATA.....	2-11 – 2-31



ECCO is proud to be a member of:



ASHRAE
American Society of
Heating, Refrigerating, and
Air-Conditioning Engineers, Inc.
www.ashrae.org



HRAI
Heating, Refrigeration and
Air Conditioning
Institute of Canada
www.hrai.ca



HARDI
Heating, Airconditioning &
Refrigeration Distributors
International
www.hardinet.org



SMACNA
Sheet Metal and Air
Conditioning Contractors'
National Association
www.smacna.org



SPIDA
Spiral Duct
Manufacturers
Association
www.spida.org



CIPH
Canadian Institute
of Plumbing &
Heating
www.ciph.com

ARMSTRONG GAS FURNACES

www.armstrongair.com

HIGH EFFICIENCY GAS FURNACES FEATURES AND BENEFITS

A96-MV — 96% EFFICIENT — MODULATING HEAT

- 96% AFUE
- Modulating heat
- Variable speed motor
- Stainless steel heat exchangers*
- 10-year limited warranty on all parts**



A95-2V — 95% EFFICIENT — VARIABLE SPEED AIR

- 95% AFUE
- Two-stage heat
- Variable speed motor
- Stainless steel heat exchangers*
- 10-year limited warranty on all parts**



A95-1D — 95% EFFICIENT

- 95% AFUE
- Two-stage heat
- Direct drive motor
- Stainless steel heat exchangers*
- 10-year limited warranty on all parts**



A93-1D — 93% EFFICIENT

- 93% AFUE
- Single-stage heat
- Direct drive motor
- Aluminized heat exchanger*
- 10-year limited warranty on all parts**



*Lifetime limited heat exchanger warranty applies to registered equipment only (standard 20 years with no online registration). See full warranty at www.alliedair.com for terms, conditions and exclusions.

**Warranty provides for a total of 10 years of limited warranty coverage (standard 5-year limited parts warranty plus an additional 5-year limited extended parts warranty). Warranty must be registered online within 60 days of installation to qualify for 10-year coverage. Unregistered equipment defaults to 5-year coverage. See full warranty at www.alliedair.com for terms, conditions, and exclusions.



Proper sizing and installation of equipment is critical to achieve optimal performance.

Ask your ECCO Supply sales representative for details or visit www.energystar.gov.

ARMSTRONG GAS FURNACES

www.armstrongair.com

HIGH EFFICIENCY GAS FURNACES (cont'd)

96% MODULATING — A96-MV

Heat Exchanger Design

- 409 stainless steel primary heat exchanger with crimped no-weld construction
- AL 29-4C stainless steel secondary heat exchanger

Cabinet Design

- Compact 33" height
- Standardized widths for easy coil fit

Air Delivery System

- ECM™ variable speed blower motor
- Easily removable slide out blower design

Controls

- Modulating gas valve
- Self diagnostics saves last 10 fault codes regardless of power interruption

Venting

- Category 4 direct vent appliance

Installation Features

- Left or right utility connections
- Zero step horizontal conversion
- Removable floor base for bottom return air

Warranty

- 10 year limited parts warranty / lifetime heat exchanger warranty available. See limited warranty document for details.



STOCK #	MODEL	DESCRIPTION	HEATING CAPACITY		AFUE %	ADD ON COOLING CAPACITY	CFM RANGE	WEIGHT (LBS)	PRICE
			INPUT	OUTPUT					
890802	A96UHMV070B12S	Upflow/ Horizontal	66,000	63,500	96	1.3 – 3.5	600 – 1400	138	\$6,150.00
890804	A96UHMV090C12S	Upflow/ Horizontal	88,000	84,500	96	1.3 – 3.5	600 – 1400	155	6,582.00
890806	A96UHMV090C16S	Upflow/ Horizontal	88,000	84,500	96	2.0 – 4.0	800 – 1600	160	6,908.00
890808	A96UHMV090C20S	Upflow/ Horizontal	88,000	84,500	96	3.0 – 5.0	1200 – 2000	162	7,325.00
890810	A96UHMV110C20S	Upflow/ Horizontal	110,000	105,500	96	3.0 – 5.0	1200 – 2000	187	7,690.00
890812	A96UHMV135D20S	Upflow/ Horizontal	132,000	127,000	96	3.0 – 5.0	1200 – 2000	197	8,458.00
890814	A96DFMV070B12S	Downflow	66,000	63,500	96	1.5 – 3.5	600 – 1400	142	6,521.00
890816	A96DFMV090C16S	Downflow	88,000	84,500	96	2.0 – 4.0	800 – 1600	165	7,325.00
890818	A96DFMV090C20S	Downflow	88,000	84,500	96	3.0 – 5.0	600 – 1400	165	7,762.00
890820	A96DFMV110C20S	Downflow	110,000	105,500	96	3.0 – 5.0	600 – 1400	189	8,153.00

NOTE: For Technical Data see end of section.

ARMSTRONG GAS FURNACES

www.armstrongair.com

HIGH EFFICIENCY GAS FURNACES (cont'd)

95% EFFICIENCY — A95-2V

Heat Exchanger Design

- 409 Stainless steel primary heat exchanger material
- AL29-4C Stainless steel secondary heat exchanger
- Non-welded crimped S-curve primary heat exchanger design for maximum durability

Burners

- Alumined steel in shot burners for smooth ignition
- Isolated burner enclosure for quiet operation

Cabinet Construction

- Compact 33" height
- Standardized widths for easy coil fit
- Unitized construction for cabinet integrity
- Heat exchanger compartment and blower compartment insulated to increase efficiency and reduce sound levels
- Baked on prepainted steel cabinet finish

Air Delivery System

- Efficient ECM variable speed blower motor
- Motor features "soft start" and "soft stop" for quiet operation
- Active and passive dehumidification feature
- Easily removable slide-out blower design
- Dynamically balanced blower wheel with resilient motor mounts for smooth and quiet operation

Controls

- Two stage gas valve
- Integrated ignition and fan control
- System Sentry™ control retains last five (5) fault codes with push button memory recall, regardless of power interruption
- Hot surface ignition system uses silicon nitride ignitor
- Control features 120 volt electronic air cleaner and humidifier terminals
- Control circuit is fuse protected
- Color coded control wiring
- Compatible with single or two stage thermostats for heating. *Two stage thermostat is required when installed with two stage cooling unit.*

Venting

- 2-speed induced draft motor with stainless steel shaft, steel ball bearings, and fan cooled for long life
- Vent materials for Canadian applications must comply with ULC S636
- Certified for direct vent applications only. *Direct vent refers to a combustion air supply intake pipe installed in conjunction with flue gas vent pipe.*

Installation Features

- Left or right gas and electric entry
- Zero step horizontal conversion
- Removable floor base (upflow/horizontal units) for bottom return air

Warranty

- 10 year limited parts warranty / lifetime heat exchanger warranty available. See limited warranty document for details.



ARMSTRONG GAS FURNACES

www.armstrongair.com

HIGH EFFICIENCY GAS FURNACES (cont'd)

95% EFFICIENCY — A95-2V (cont'd)

2-Stage Variable – Upflow/Horizontal

STOCK #	MODEL	HEATING CAPACITY				AFUE (ICUS)	NOM. COOLING CAPACITY (TONS)	GAS INLET (")	WEIGHT (LBS)	PRICE
		1ST STAGE		2ND STAGE						
		INPUT (BTUH)	OUTPUT (BTUH)	INPUT (BTUH)	OUTPUT (BTUH)					
890400	A95UH2V045B12S	29,000	28,000	44,000	42,000	95.0	3	1/2	130	\$3,700.00
890402	A95UH2V070B12S	43,000	41,000	66,000	62,000	95.0	3	1/2	138	3,800.00
890404	A95UH2V090C12S	57,000	55,000	88,000	84,000	95.0	3	1/2	154	3,750.00
890406	A95UH2V090C16S	57,000	55,000	88,000	85,000	95.0	4	1/2	165	3,850.00
890408	A95UH2V090C20S	57,000	55,000	88,000	85,000	95.0	5	1/2	166	4,300.00
890410	A95UH2V110C16S	72,000	70,000	110,000	105,000	95.0	4	1/2	173	4,300.00
890412	A95UH2V110C20S	72,000	70,000	110,000	106,000	95.0	5	1/2	174	4,500.00
890414	A95UH2V135D20S	88,000	84,000	135,000	126,000	95.0	5	1/2	188	4,700.00

2-Stage Variable – Downflow

STOCK #	MODEL	HEATING CAPACITY				AFUE (ICUS)	NOM. COOLING CAPACITY (TONS)	GAS INLET (")	WEIGHT (LBS)	PRICE
		1ST STAGE		2ND STAGE						
		INPUT (BTUH)	OUTPUT (BTUH)	INPUT (BTUH)	OUTPUT (BTUH)					
890430	A95DF2V045B12S	29,000	28,000	44,000	43,000	95.0	3	1/2	131	\$4,400.00
890432	A95DF2V070B16S	43,000	42,000	66,000	64,000	95.0	4	1/2	138	4,500.00
890434	A95DF2V090C20S	57,000	56,000	88,000	85,000	95.0	5	1/2	166	4,800.00
890436	A95DF2V110C20S	72,000	70,000	110,000	106,000	95.0	5	1/2	176	5,500.00

NOTE: For Technical Data see end of section.

ARMSTRONG GAS FURNACES

www.armstrongair.com

HIGH EFFICIENCY GAS FURNACES (cont'd)

95% STAINLESS — A951D-S

Heat Exchanger Design

- Aluminized steel primary heat exchanger with crimped no weld construction for "A" models
- AL 29-4C Stainless steel secondary heat exchanger
- Stainless steel primary heat exchanger with crimped no weld construction for "S" models

Cabinet Design

- Compact 33" height
- Standardized widths for easy coil fit

Air Delivery System

- Multi-speed PSC blower motor
- Easily removable slide out blower design



Controls

- Single stage gas valve
- Self diagnostics saves last 5 fault codes regardless of power interruption

Venting

- Designed certified for direct and non direct applications

Installation Features

- Left or right utility connection
- Design certified for direct and non-direct vent applications
- Zero step horizontal conversion
- Removable floor base for bottom return air

Warranty

- 10 year limited parts warranty / lifetime heat exchanger warranty available.
See limited warranty document for details.

STOCK #	MODEL	DESCRIPTION	HEATING CAPACITY		AFUE %	ADD ON COOLING CAPACITY	CFM RANGE	WEIGHT (LBS)	PRICE
			INPUT	OUTPUT					
890832	A95UH1D045B08S	Upflow/ Horizontal	44,000	42,000	95	1.5 - 2.5	550 - 1000	120	\$4,748.00
890834	A95UH1D045B12S	Upflow/ Horizontal	44,000	42,000	95	2.5 - 3.5	900 - 1450	122	4,844.00
C890334	A95UH1D070B08S	Upflow/ Horizontal	66,000	62,500	95	1.5 - 2.5	550 - 1000	128	P.O.A.
890836	A95UH1D070B12S	Upflow/ Horizontal	66,000	62,500	95	2.5 - 3.5	900 - 1400	130	4,936.00
890838	A95UH1D090C12S	Upflow/ Horizontal	88,000	83,500	95	2.0 - 3.5	800 - 1400	140	5,210.00
890840	A95UH1D090C16S	Upflow/ Horizontal	88,000	83,500	95	3.0 - 4.0	1200 - 1600	143	5,347.00
890842	A95UH1D110C16S	Upflow/ Horizontal	110,000	104,500	95	3.0 - 4.0	1200 - 1600	168	5,891.00
890844	A95UH1D110C20S	Upflow/ Horizontal	110,000	104,500	95	4.0 - 5.0	1600 - 2000	171	6,160.00
890846	A95UH1D135D20S	Upflow/ Horizontal	132,000	125,500	95	4.0 - 5.0	1600 - 2000	181	6,699.00
890848	A95DF1D045B12S	Downflow	44,000	42,000	95	2.0 - 3.0	850 - 1300	123	5,495.00
890850	A95DF1D070B12S	Downflow	44,000	62,500	95	2.0 - 3.0	800 - 1250	131	5,662.00
890852	A95DF1D090C20S	Downflow	88,000	83,500	95	3.0 - 4.0	1200 - 1600	144	6,587.00
890854	A95DF1D110C20S	Downflow	110,000	104,500	95	4.0 - 5.0	1600 - 2000	172	7,264.00

NOTE: For Technical Data see end of section.

– E.&O.E. – All Prices F.O.B. Our Warehouse – Subject to Change Without Notice – All Taxes Extra –

ARMSTRONG GAS FURNACES

www.armstrongair.com

HIGH EFFICIENCY GAS FURNACES (cont'd)

95% EFFICIENCY — A951D-A

Heat Exchanger Design

- Aluminized steel primary heat exchanger with crimped no weld construction for "A" models
- AL 29-4C Stainless steel secondary heat exchanger
- Stainless steel primary heat exchanger with crimped no weld construction for "S" models

Cabinet Design

- Compact 33" height
- Standardized widths for easy coil fit

Air Delivery System

- Multi-speed PSC blower motor
- Easily removable slide out blower design



Controls

- Single stage gas valve
- Self diagnostics saves last 5 fault codes regardless of power interruption

Venting

- Designed certified for direct and non direct applications

Installation Features

- Left or right utility connection
- Design certified for direct and non-direct vent applications
- Zero step horizontal conversion
- Removable floor base for bottom return air

Warranty

- 10 year limited parts warranty / lifetime heat exchanger warranty available.
See limited warranty document for details.

STOCK #	MODEL	DESCRIPTION	HEATING CAPACITY		AFUE %	ADD ON COOLING CAPACITY	CFM RANGE	WEIGHT (LBS)	PRICE
			INPUT	OUTPUT					
890856	A95UH1D045B08A	Upflow/ Horizontal	44,000	42,000	95	1.5 - 2.5	550 - 1000	120	\$4,493.00
890858	A95UH1D045B12A	Upflow/ Horizontal	44,000	42,000	95	2.5 - 3.5	900 - 1450	122	4,590.00
C890334	A95UH1D070B08A	Upflow/ Horizontal	66,000	62,500	95	1.5 - 2.5	550 - 1000	128	P.O.A.
890860	A95UH1D070B12A	Upflow/ Horizontal	66,000	62,500	95	2.5 - 3.5	900 - 1400	130	4,681.00
890862	A95UH1D090C12A	Upflow/ Horizontal	88,000	83,500	95	2.0 - 3.5	800 - 1400	140	4,956.00
890864	A95UH1D090C16A	Upflow/ Horizontal	88,000	83,500	95	3.0 - 4.0	1200 - 1600	143	5,093.00
890866	A95UH1D110C16A	Upflow/ Horizontal	110,000	104,500	95	3.0 - 4.0	1200 - 1600	168	5,637.00
890868	A95UH1D110C20A	Upflow/ Horizontal	110,000	104,500	95	4.0 - 5.0	1600 - 2000	171	5,906.00
890870	A95UH1D135D20A	Upflow/ Horizontal	132,000	125,500	95	4.0 - 5.0	1600 - 2000	181	6,445.00
890872	A95DF1D045B12A	Downflow	44,000	42,000	95	2.0 - 3.0	850 - 1300	123	5,241.00
890874	A95DF1D070B12A	Downflow	44,000	62,500	95	2.0 - 3.0	800 - 1250	131	5,408.00
890876	A95DF1D090C20A	Downflow	88,000	83,500	95	3.0 - 4.0	1200 - 1600	144	6,333.00
890878	A95DF1D110C20A	Downflow	110,000	104,500	95	4.0 - 5.0	1600 - 2000	172	7,009.00

NOTE: For Technical Data see end of section.

– E.&O.E. – All Prices F.O.B. Our Warehouse – Subject to Change Without Notice – All Taxes Extra –

ARMSTRONG GAS FURNACES

www.armstrongair.com

HIGH EFFICIENCY GAS FURNACES (cont'd)

93% EFFICIENCY — A931D

Heat Exchanger Design

- Aluminized steel primary heat exchanger with crimped no weld construction for "A" models
- AL 29-4C Stainless steel secondary heat exchanger

Cabinet Design

- Compact 33" height
- Standardized widths for easy coil fit

Air Delivery System

- Multi-speed PSC blower motor
- Easily removable slide out blower design



Controls

- Single stage gas valve
- Self diagnostics saves last 5 fault codes regardless of power interruption

Venting

- Designed certified for direct and non direct applications

Installation Features

- Left or right utility connection
- Design certified for direct and non-direct vent applications
- Zero step horizontal conversion
- Removable floor base for bottom return air

Warranty

- 10 year limited parts warranty / lifetime heat exchanger warranty available. See limited warranty document for details.

STOCK #	MODEL	DESCRIPTION	HEATING CAPACITY		AFUE %	ADD ON COOLING CAPACITY	CFM RANGE	WEIGHT (LBS)	PRICE
			INPUT	OUTPUT					
890892	A93UH1D045B08A	Upflow/ Horizontal	44,000	41,000	93	1.5 - 2.5	550 - 1000	120	\$2,597.00
890894	A93UH1D045B12A	Upflow/ Horizontal	44,000	41,000	93	2.5 - 3.5	900 - 1450	122	2,618.00
890896	A93UH1D070B08A	Upflow/ Horizontal	66,000	61,000	93	1.5 - 2.5	550 - 1000	126	2,745.00
890898	A93UH1D070B12A	Upflow/ Horizontal	66,000	61,000	93	2.5 - 3.5	900 - 1400	128	2,765.00
890900	A93UH1D090C12A	Upflow/ Horizontal	88,000	82,000	93	2.0 - 3.5	800 - 1400	138	3,335.00
890902	A93UH1D090C16A	Upflow/ Horizontal	88,000	82,000	93	3.0 - 4.0	1200 - 1700	141	3,375.00
890904	A93UH1D110C16A	Upflow/ Horizontal	110,000	102,000	93	3.0 - 4.0	1200 - 1700	166	3,675.00
890906	A93UH1D110C20A	Upflow/ Horizontal	110,000	102,000	93	4.0 - 5.0	1550 - 2100	169	3,828.00
890908	A93UH1D135D20A	Upflow/ Horizontal	132,000	123,000	93	4.0 - 5.0	1550 - 2200	178	4,209.00
890910	A93DF1D045B12A	Downflow	44,000	41,000	93	2.0 - 3.0	850 - 1300	123	3,624.00
890912	A93DF1D070B12A	Downflow	66,000	61,000	93	2.0 - 3.0	800 - 1250	129	3,934.00
890914	A93DF1D090C16A	Downflow	88,000	82,000	93	3.0 - 4.0	1200 - 1600	142	4,168.00
890916	A93DF1D110C20A	Downflow	110,000	102,000	93	4.0 - 5.0	1550 - 2000	170	4,448.00

NOTE: For Technical Data see end of section.

– E.&O.E. – All Prices F.O.B. Our Warehouse – Subject to Change Without Notice – All Taxes Extra –

ARMSTRONG GAS FURNACES

www.armstrongair.com

HIGH EFFICIENCY GAS FURNACE ACCESSORIES — 90%+ PRODUCTS

CONCENTRIC VENT KITS (90% ONLY)

STOCK #	MODEL	DESCRIPTION	PRICE
890138	71M80	LB-49107CG 1.5" Concentric Vent Kit	\$183.00
890140	69M29	2" Concentric Vent Kit	148.00
890142	60L46	3" Concentric Termination Kit	193.00
890144	51W11	605384-01 Flush Mount Vent Kit	102.00

DOWNFLOW COMBUSTIBLE FLOORING BASE

STOCK #	MODEL	DESCRIPTION	PRICE
890132	11M59	LB-95048A Combustible Floor Base Kit – A	\$127.00
890134	11M60	LB-95048B Combustible Floor Base Kit – B	143.00
890136	11M61	LB-95048C Combustible Floor Base Kit – C	158.00

HORIZONTAL SUSPENSION KIT

STOCK #	MODEL	DESCRIPTION	PRICE
890130	51W10	604889-01 Horizontal Suspension Kit	\$153.00

LP KITS

STOCK #	MODEL	DESCRIPTION	PRICE
890146	68W77	605152-02 Natural to Propane Gas Conversion Kit (A96MV)	\$397.00
890148	68W75	604888-03 Assembly Kit – Natural to Propane Gas Conversion (A93, A95)	214.00

RETURN AIR BASES

Return air kits are used with the upflow/horizontal furnaces in upflow applications, to provide additional return air opening. Allows for single side entry on 5 ton air systems.

Kit Contains

- 1 Return Air Base which includes: front plate, back plate, base plate, right hand side rail, left hand side rail, patch plate.
- 12 Screws

STOCK #	MODEL	DESCRIPTION	SIZE (")	PRICE
890156	68W61	For "A" Width Cabinets	14.5	\$190.00
890158	68W62	For "B" Width Cabinets	17.5	190.00
890160	68W63	For "C" Width Cabinets	21.0	198.00
890162	68W64	For "D" Width Cabinets	24.5	237.00

ARMSTRONG GAS FURNACES

www.armstrongair.com

HIGH EFFICIENCY GAS FURNACE ACCESSORIES — 90%+ PRODUCTS (cont'd)

NIGHT SERVICE KITS

Common service components packaged conveniently for servicing contractors.

STOCK #	MODEL	DESCRIPTION	USED WITH	INCLUDES	PRICE
890154	68W80	Single Stage	A93 – 92G A95 – 95G	Control Ignition (R10385-01) Gas Valve (73W17) Igniter (70W16) Transformer (42132) Flame Sensor (69W43)	\$588.00
890155	68W82	Modulating	A96MV	Control Ignition (63W58) Gas Valve (72W34) Igniter (70W16) Transformer (42132) Flame Sensor (69W43)	1,456.00

FURNACE FILTER FRAMES

NO DOOR

STOCK #	SIZE (")	DESCRIPTION	PRICE
599630	16 × 25 × 1"	Frame – no door	\$45.39
599631	16 × 25 × 3"	Frame – no door	62.99
599632	20 × 25 × 3"	Frame – no door	64.38
599640	20 × 24 × 6-3/4"	Frame – no door	54.84

WITH DOOR

STOCK #	SIZE (")	DESCRIPTION	PRICE
599629	16 × 25 × 1"	Frame – with door	\$49.37
599641	20 × 25 × 1"	Frame – with door	49.37
599633	16 × 25 × 3"	Frame – with door	71.55
599634	20 × 25 × 3"	Frame – with door	72.76

WITH 1" OR 4" DOOR

STOCK #	SIZE (")	DESCRIPTION	PRICE
599639	16 × 24 × 6-3/4"	Frame	\$72.94
599635	16 × 25 × 6-3/4"	Frame – with 1" door	94.26
599636	20 × 25 × 6-3/4"	Frame – with 1" door	96.72
599637	16 × 25 × 6-3/4"	Frame – with 4" door	156.13
599638	20 × 25 × 6-3/4"	Frame – with 4" door	166.84



– E.&O.E. – All Prices F.O.B. Our Warehouse – Subject to Change Without Notice – All Taxes Extra –

ARMSTRONG GAS FURNACES

www.armstrongair.com

TECHNICAL DATA

A96-MV — 96% EFFICIENT — MODULATING HEAT

Model Number Guide

Brand	AFUE	Config	Stages	Blower	BTUH Input	Cabinet Width	Nom. CFM x 100	Heat Exch. Code	Major Revision
A	96	UH	M	V	110	C	20	S	-01

A = Armstrong Air
 96 = 96% Efficiency
 UH = Upflow/Horizontal
 DF = Downflow
 M = Modulation
 V = Variable Speed
 Heating Input x 1000

S = Stainless steel Heat Exchanger
 08 = 2Ton add on cooling
 12 = 3Ton add on cooling
 16 = 4Ton add on cooling
 20 = 5Ton add on cooling
 A = 14.5" width
 B = 17.5" width
 C = 21.0" width
 D = 24.5" width

Physical and Electrical Data

	Model	Input (Btuh)	Output * (Btuh)	AFUE (ICS)	Nom * Cooling Capacity	Gas Inlet (in.)	Volts-Hertz-Phase	Max. Time Delay Breaker or Fuse	Nominal F.L.A.	Trans. (V.A.)	Approx. Shipping Weight (lbs.)
Upflow / Horizontal	A96UHMV070B12S	66,000	64,000	96.0%	3 Tons	1/2	120-60-1	15	7.7	40	138
	A96UHMV090C12S	88,000	85,000	96.0%	3 Tons	1/2	120-60-1	15	7.7	40	155
	A96UHMV090C16S	88,000	85,000	96.0%	4 Tons	1/2	120-60-1	15	10.1	40	165
	A96UHMV090C20S	88,000	85,000	96.0%	5 Tons	1/2	120-60-1	20	12.8	40	165
	A96UHMV110C20S	110,000	106,000	96.0%	5 Tons	1/2	120-60-1	20	12.8	40	175
	A96UHMV135D20S	132,000	127,000	96.0%	5 Tons	1/2	120-60-1	20	12.8	40	190
Downflow	A96DFMV070B12S	66,000	64,000	96.0%	3 Tons	1/2	120-60-1	15	7.7	40	140
	A96DFMV090C16S	88,000	85,000	96.0%	4 Tons	1/2	120-60-1	15	10.1	40	165
	A96DFMV090C20S	88,000	85,000	96.0%	5 Tons	1/2	120-60-1	20	12.8	40	165
	A96DFMV110C20S	110,000	107,000	96.0%	5 Tons	1/2	120-60-1	20	12.8	40	174

Note: For vent length and clearances to combustibles, please reference installation instructions.

* At full capacity

- E.&O.E. - All Prices F.O.B. Our Warehouse - Subject to Change Without Notice - All Taxes Extra -

ARMSTRONG GAS FURNACES

www.armstrongair.com

TECHNICAL DATA (cont'd)

A96-MV — 96% EFFICIENT — MODULATING HEAT (cont'd)

Blower Performance Data

BOTTOM INLET

	Model	Motor Size (hp)	Blower Size	Temp Rise F°	Heating CFM @ .50" w.c.				Cooling Stages	Speed	Cooling CFM @ .50" w.c.			
					**	40%	70%	100%			Setting "A"	Setting "B"	Setting "C"	Setting "D"
Upflow / Horizontal	A96UHMV070B12S	1/2 HP	10 x 9	50 - 80 Max. Input	+15%	538	833	1128	2nd Stage	+	862	1063	1218	1369
					+7.5%	496	772	1048		Norm	810	962	1130	1269
					Default	453	710	967		-	707	841	1007	1140
				35 - 65 Min. Input	-7.5%	419	657	895	1st Stage	+	604	740	843	971
					-15%	385	604	822		Norm	558	668	770	855
										-	504	603	683	793
	A96UHMV090C12S	1/2 HP	10 x 9	60 - 90 Max. Input	+15%	734	1014	1295	2nd Stage	+	879	1040	1212	1362
					+7.5%	697	953	1209		Norm	803	946	1104	1246
					Default	660	891	1122		-	721	842	972	1117
				35 - 65 Min. Input	-7.5%	616	828	1041	1st Stage	+	626	710	832	952
					-15%	572	766	959		Norm	569	672	764	862
										-	524	612	687	785
	A96UHMV090C16S	3/4 HP	11 x 11	50 - 80 Max. Input	+15%	835	1234	1633	2nd Stage	+	1168	1379	1583	1771
					+7.5%	776	1155	1534		Norm	1079	1267	1444	1645
					Default	716	1075	1434		-	938	1148	1324	1469
				35 - 65 Min. Input	-7.5%	652	997	1342	1st Stage	+	843	1007	1159	1315
					-15%	589	919	1249		Norm	780	915	1047	1190
										-	693	838	959	1070
	A96UHMV090C20S	1 HP	11 x 11	50 - 80 Max. Input	+15%	665	1159	1653	2nd Stage	+	1385	1593	1818	2019
					+7.5%	618	1085	1553		Norm	1226	1463	1647	1884
					Default	571	1012	1453		-	1063	1320	1504	1675
				35 - 65 Min. Input	-7.5%	507	917	1328	1st Stage	+	933	1054	1274	1466
					-15%	443	823	1203		Norm	836	978	1121	1336
										-	740	868	1010	1152
A96UHMV110C20S	1 HP	11 x 11	50 - 80 Max. Input	+15%	861	1424	1988	2nd Stage	+	1312	1560	1744	1955	
				+7.5%	825	1349	1874		Norm	1219	1405	1569	1796	
				Default	789	1274	1759		-	1075	1272	1428	1634	
			35 - 65 Min. Input	-7.5%	731	1187	1644	1st Stage	+	937	1064	1247	1407	
				-15%	673	1101	1528		Norm	864	972	1146	1282	
									-	790	888	1025	1167	
A96UHMV135D20S	1 HP	11 x 11	55 - 85 Max. Input	+15%	1033	1534	2035	2nd Stage	+	1353	1567	1751	1994	
				+7.5%	957	1426	1895		Norm	1202	1448	1616	1828	
				Default	881	1317	1754		-	1080	1290	1472	1668	
			35 - 65 Min. Input	-7.5%	817	1235	1652	1st Stage	+	935	1074	1260	1450	
				-15%	753	1152	1550		Norm	834	983	1116	1306	
									-	732	867	1023	1145	

Note: ** See installation instructions for proper blower set up

ARMSTRONG GAS FURNACES

www.armstrongair.com

TECHNICAL DATA (cont'd)

A96-MV — 96% EFFICIENT — MODULATING HEAT (cont'd)

Blower Performance Data SIDE INLET

	Model	Motor Size (hp)	Blower Size	Temp Rise F°	Heating CFM @ .50" w.c.				Cooling Stages	Speed Adjust-ment	Cooling CFM @ .50" w.c.			
					**	40%	70%	100%			Setting "A"	Setting "B"	Setting "C"	Setting "D"
					Max. Input	Default	Min. Input	Default			+	Norm	-	+
Upflow / Horizontal	A96UHMV070B12S	1/2 HP	10 x 9	50 - 80 Max. Input	+15%	531	812	1093	2nd Stage	+	840	1054	1208	1357
					+7.5%	490	756	1022		Norm	752	946	1130	1231
					Default	449	700	951		-	688	805	991	1114
				35 - 65 Min. Input	+7.5%	413	635	857	1st Stage	+	593	706	805	959
					-15%	378	571	763		Norm	543	642	729	824
										-	503	584	665	720
	A96UHMV090C12S	1/2 HP	10 x 9	60 - 90 Max. Input	+15%	702	971	1240	2nd Stage	+	843	1017	1168	1300
					+7.5%	673	926	1178		Norm	772	912	1054	1193
					Default	644	880	1116		-	698	799	946	1111
				35 - 65 Min. Input	+7.5%	608	814	1020	1st Stage	+	610	707	797	921
					-15%	571	747	923		Norm	561	643	718	811
										-	526	605	667	729
	A96UHMV090C16S	3/4 HP	11 x 11	50 - 80 Max. Input	+15%	812	1204	1595	2nd Stage	+	1140	1341	1526	1728
					+7.5%	759	1127	1495		Norm	1043	1235	1398	1566
					Default	706	1051	1395		-	913	1124	1279	1402
				35 - 65 Min. Input	+7.5%	644	978	1312	1st Stage	+	823	1009	1135	1292
					-15%	582	905	1228		Norm	758	882	1026	1151
										-	684	816	928	1068
A96UHMV090C20S	1 HP	11 x 11	50 - 80 Max. Input	+15%	684	1136	1588	2nd Stage	+	1335	1559	1719	1986	
				+7.5%	623	1059	1496		Norm	1173	1433	1568	1811	
				Default	562	983	1403		-	1049	1283	1451	1603	
			35 - 65 Min. Input	+7.5%	502	896	1291	1st Stage	+	911	1043	1227	1434	
				-15%	441	810	1178		Norm	805	960	1087	1296	
									-	700	840	991	1115	
A96UHMV110C20S	1 HP	11 x 11	50 - 80 Max. Input	+15%	733	1194	1747	2nd Stage	+	1270	1519	1712	1899	
				+7.5%	708	1139	1657		Norm	1170	1363	1555	1774	
				Default	683	1085	1566		-	1059	1218	1401	1581	
			35 - 65 Min. Input	+7.5%	632	1007	1457	1st Stage	+	918	1053	1198	1366	
				-15%	580	929	1348		Norm	820	964	1095	1231	
									-	722	852	987	1116	
A96UHMV135D20S	1 HP	11 x 11	55 - 85 Max. Input	+15%	1010	1505	2001	2nd Stage	+	1337	1550	1720	1974	
				+7.5%	923	1398	1873		Norm	1194	1416	1608	1781	
				Default	836	1290	1744		-	1076	1282	1437	1628	
			35 - 65 Min. Input	+7.5%	775	1208	1641	1st Stage	+	938	1070	1236	1418	
				-15%	715	1126	1537		Norm	837	985	1114	1296	
									-	736	870	1010	1139	

Blower Performance Data SIDE INLET with return air base

	Model	Motor Size (hp)	Blower Size	Temp Rise F°	Heating CFM @ .50" w.c.				Cooling Stages	Speed	Cooling CFM @ .50" w.c.			
					**	40%	70%	100%			Setting "A"	Setting "B"	Setting "C"	Setting "D"
					Max. Input	Default	Min. Input	Default			+	Norm	-	+
Upflow / Horizontal	A96UHMV070B12S	1/2 HP	10 x 9	50 - 80 Max. Input	+15%	519	805	1091	2nd Stage	+	857	1049	1206	1354
					+7.5%	480	751	1021		Norm	791	946	1093	1255
					Default	441	696	951		-	722	845	987	1131
				35 - 65 Min. Input	+7.5%	408	643	877	1st Stage	+	596	717	816	950
					-15%	375	589	803		Norm	521	657	755	840
										-	494	597	672	747
A96UHMV090C12S	1/2 HP	10 x 9	60 - 90 Max. Input	+15%	721	988	1254	2nd Stage	+	852	999	1166	1305	
				+7.5%	679	923	1167		Norm	776	907	1050	1206	
				Default	637	858	1079		-	712	802	947	1074	
			35 - 65 Min. Input	+7.5%	606	806	1006	1st Stage	+	605	715	812	934	
				-15%	576	754	933		Norm	571	662	735	820	
									-	530	602	673	725	

Note: ** See installation instructions for proper blower set up

- E.&O.E. - All Prices F.O.B. Our Warehouse - Subject to Change Without Notice - All Taxes Extra -

ARMSTRONG GAS FURNACES

www.armstrongair.com

TECHNICAL DATA (cont'd)

A96-MV — 96% EFFICIENT — MODULATING HEAT (cont'd)

Blower Performance Data **SIDE INLET with return air base** (Continued from previous page)

	Model	Motor Size (hp)	Blower Size	Temp Rise F°	Heating CFM @ .50" w.c.				Cooling Stages	Speed	Cooling CFM @ .50" w.c.			
					**	40%	70%	100%			Setting "A"	Setting "B"	Setting "C"	Setting "D"
					Max. Input	Default	70%	100%			+	Norm	-	+
Upflow / Horizontal	A96UHMV090C16S	3/4 HP	11 x 11	50 - 80	+15%	828	1213	1597	2nd Stage	+	1162	1360	1533	1742
					+7.5%	766	1132	1499		Norm	1064	1240	1400	1594
					Default	703	1052	1401		-	928	1133	1298	1441
				35 - 65	-7.5%	650	986	1323	1st Stage	+	844	955	1124	1280
					-15%	596	921	1245		Norm	775	910	1011	1173
										-	695	816	932	1045
	A96UHMV090C20S	1 HP	11 x 11	50 - 80	+15%	686	1138	1589	2nd Stage	+	1329	1560	1740	1982
					+7.5%	626	1060	1494		Norm	1177	1414	1586	1807
					Default	566	983	1399		-	1044	1261	1432	1619
				35 - 65	-7.5%	502	895	1288	1st Stage	+	913	1037	1230	1415
					-15%	437	806	1176		Norm	827	953	1088	1278
										-	741	855	995	1117
A96UHMV110C20S	1 HP	11 x 11	50 - 80	+15%	893	1419	1945	2nd Stage	+	1268	1487	1726	1913	
				+7.5%	814	1329	1843		Norm	1158	1369	1568	1764	
				Default	736	1238	1741		-	1030	1224	1393	1575	
			35 - 65	-7.5%	680	1139	1599	1st Stage	+	918	1022	1205	1371	
				-15%	623	1040	1457		Norm	839	955	1084	1235	
									-	760	865	984	1109	
A96UHMV135D20S	1 HP	11 x 11	55 - 85	+15%	992	1487	1983	2nd Stage	+	1303	1536	1687	1975	
				+7.5%	907	1382	1858		Norm	1164	1380	1584	1762	
				Default	822	1277	1732		-	1065	1252	1404	1604	
			35 - 65	-7.5%	761	1188	1615	1st Stage	+	918	1061	1214	1382	
				-15%	700	1099	1497		Norm	829	960	1091	1265	
									-	739	858	991	1116	

Blower Performance Data **RETURN INLET**

	Model	Motor Size (hp)	Blower Size	Temp Rise F°	Heating CFM @ .50" w.c.				Cooling Stages	Speed Adjust-ment	Cooling CFM @ .50" w.c.			
					**	40%	70%	100%			Setting "A"	Setting "B"	Setting "C"	Setting "D"
					Max. Input	Default	70%	100%			+	Norm	-	+
Downflow	A96DFMV070B12S	1/2 HP	10 x 9	50 - 80	+15%	543	830	1118	2nd Stage	+	910	1075	1232	1366
					+7.5%	516	778	1041		Norm	846	963	1126	1267
					Default	489	726	963		-	759	889	986	1154
				35 - 65	-7.5%	467	687	908	1st Stage	+	625	788	890	998
					-15%	444	649	853		Norm	573	711	830	894
										-	520	619	714	822
	A96DFMV090C16S	1/2 HP	10 x 9	60 - 90	+15%	756	1033	1309	2nd Stage	+	924	1083	1218	1386
					+7.5%	713	971	1230		Norm	835	1000	1136	1259
					Default	669	910	1150		-	751	890	1028	1145
				35 - 65	-7.5%	599	845	1091	1st Stage	+	610	771	902	1035
					-15%	530	781	1032		Norm	549	690	808	923
										-	466	623	721	812
A96DFMV090C20S	1 HP	11 x 11	50 - 80	+15%	728	1176	1625	2nd Stage	+	1337	1601	1752	1982	
				+7.5%	673	1092	1512		Norm	1225	1449	1629	1830	
				Default	618	1009	1399		-	1119	1269	1448	1664	
			35 - 65	-7.5%	570	931	1292	1st Stage	+	956	1114	1265	1449	
				-15%	522	853	1184		Norm	855	1004	1148	1286	
									-	753	888	1063	1172	
A96DFMV110C20S	1 HP	11 x 11	50 - 80	+15%	906	1475	2045	2nd Stage	+	1337	1583	1792	2011	
				+7.5%	835	1380	1926		Norm	1222	1440	1629	1867	
				Default	764	1285	1807		-	1098	1273	1473	1678	
			35 - 65	-7.5%	707	1193	1679	1st Stage	+	922	1093	1264	1442	
				-15%	650	1101	1551		Norm	830	965	1129	1289	
									-	738	860	1034	1156	

Note: ** See installation instructions for proper blower set up

- E.&O.E. - All Prices F.O.B. Our Warehouse - Subject to Change Without Notice - All Taxes Extra -

ARMSTRONG GAS FURNACES

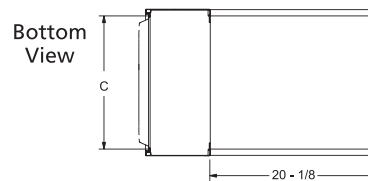
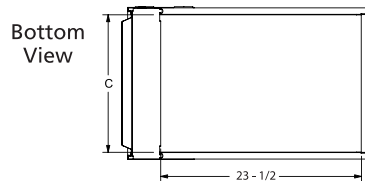
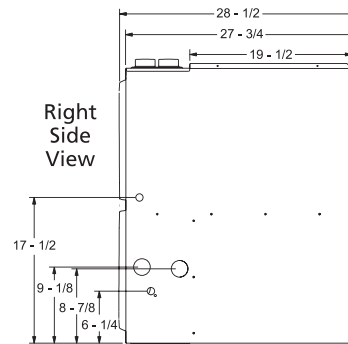
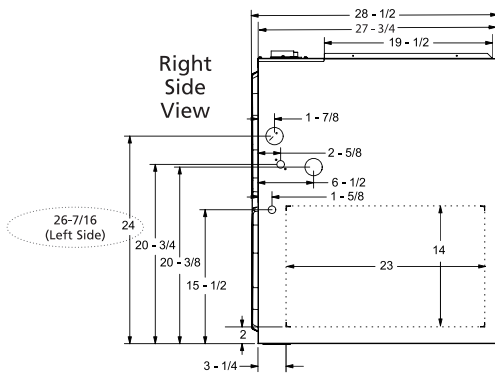
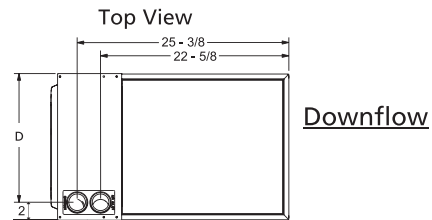
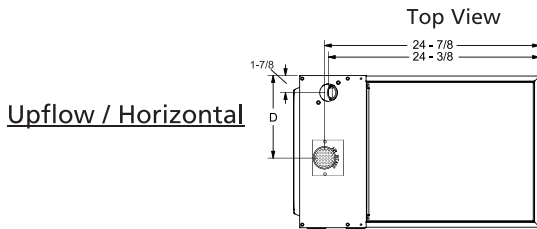
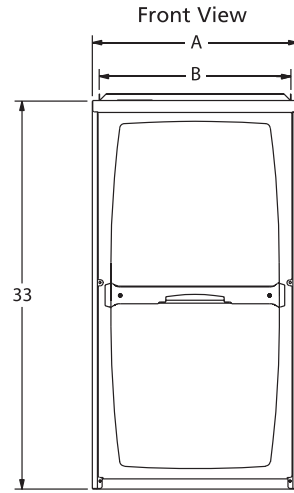
www.armstrongair.com

TECHNICAL DATA (cont'd)

A96-MV — 96% EFFICIENT — MODULATING HEAT (cont'd)

Dimensions (in.)

	Model	A	B	C	D
Upflow/Horizontal	A96UHMV070B12S	17-1/2	16-3/8	16	7-5/8
	A96UHMV090C12S	21	19-7/8	19-1/2	9-3/8
	A96UHMV090C16S	21	19-7/8	19-1/2	9-3/8
	A96UHMV090C20S	21	19-7/8	19-1/2	9-3/8
	A96UHMV110C20S	21	19-7/8	19-1/2	9-3/8
	A96UHMV135D20S	24-1/2	23-3/8	23	11-1/8
Downflow	A96DFMV070B12S	17-1/2	16-3/8	16	15-1/2
	A96DFMV090C16S	21	19-7/8	19-1/2	19
	A96DFMV090C20S	21	19-7/8	19-1/2	19
	A96DFMV110C20S	21	19-7/8	19-1/2	19



- E.&O.E. - All Prices F.O.B. Our Warehouse - Subject to Change Without Notice - All Taxes Extra -

ARMSTRONG GAS FURNACES

www.armstrongair.com

TECHNICAL DATA (cont'd)

A96-MV — 96% EFFICIENT — MODULATING HEAT (cont'd)

Accessory List

Catalog Number	Description
External Filter Rack kits	
1.841018	1 pack (16 x 25)
1.841039	10 pack (16 x 25)
Natural to LP kits	
68W77	Modulating 96% (includes gas valve)
Return Air Base	
68W62	17.5" B Width
68W63	21.0" C Width
68W64	24.5" D Width
Downflow Combustible Flooring Base	
11M60	17.5" B Width
11M61	21.0" C Width
Night Service Kits	
68W82	Modulating
Horizontal Suspension Kit	
51W10	80% & 90% Kit
Flush Mount Termination (90% Furnaces only) US Only	
51W11	2" & 3" Vent Version
Concentric Vent Kit (90% Furnaces only) US Only	
71M80	1-1/2" Vent Version
69M29	2" Vent Version
60L46	3" Vent Version

For vent length and clearances to combustibles, please reference installation instructions.

ARMSTRONG GAS FURNACES

www.armstrongair.com

TECHNICAL DATA (cont'd)

A95-2V — 95% EFFICIENT — VARIABLE SPEED AIR

Model Number Guide

Brand	AFUE	Config	Stages	Blower Input	BTUH Width	Cabinet	Nom. CFM x 100	Heat Exch	Major Revision Code
A	95	UH	2	V	110	C	16	S	-01

A = Armstrong Air
 95 = 95 % Efficiency
 UH = Upflow/Horizontal
 DF = Downflow
 2 = 2 Stage
 V = Variable Speed drive
 Heating Input x 1000
 B = 17.5" width
 C = 21.0" width
 D = 24.5" width
 S = Stainless Steel Heat Exchanger
 12 = 3 Ton add on cooling
 16 = 4 Ton add on cooling
 20 = 5 Ton add on cooling
 Numeric code

Physical and Electrical Data

	Model	1st Stage		2nd Stage		AFUE (ICUS)	Nom. Cooling Capacity (tons)	Gas Inlet (in.)	Volts/ Hz/ Phase	Min. Time Delay Breaker or Fuse	Nominal F.L.A.	Trans. (V.A.)	Approx. Weight (lbs.)
		Input (Btuh)	Output (Btuh)	Input (Btuh)	Output (Btuh)								
Upflow / Horizontal	A95UH2V045B12S	29,000	28,000	44,000	42,000	95.0	3	1/2	120-60-1	15	7.7	40	130
	A95UH2V070B12S	43,000	41,000	66,000	62,000	95.0	3	1/2	120-60-1	15	7.7	40	138
	A95UH2V090C12S	57,000	55,000	88,000	84,000	95.0	3	1/2	120-60-1	15	7.7	40	154
	A95UH2V090C16S	57,000	55,000	88,000	85,000	95.0	4	1/2	120-60-1	15	10.1	40	165
	A95UH2V090C20S	57,000	55,000	88,000	85,000	95.0	5	1/2	120-60-1	20	12.8	40	166
	A95UH2V110C16S	72,000	70,000	110,000	105,000	95.0	4	1/2	120-60-1	15	10.1	40	173
	A95UH2V110C20S	72,000	70,000	110,000	106,000	95.0	5	1/2	120-60-1	20	12.8	40	174
Downflow	A95UH2V135D20S	88,000	84,000	135,000	126,000	95.0	5	1/2	120-60-1	20	12.8	40	188
	A95DF2V045B12S	29,000	28,000	44,000	43,000	95.0	3	1/2	120-60-1	15	7.7	40	131
	A95DF2V070B16S	43,000	42,000	66,000	64,000	95.0	4	1/2	120-60-1	15	10.1	40	138
	A95DF2V090C20S	57,000	56,000	88,000	85,000	95.0	5	1/2	120-60-1	20	12.8	40	166
	A95DF2V110C20S	72,000	70,000	110,000	106,000	95.0	5	1/2	120-60-1	20	12.8	40	176

Note: For vent length and clearances to combustibles, please reference installation instructions.

Filter Requirement Data

Airflow Descriptor	Disposable Filters	Cleanable Filters
	Minimum Area (sq. in.)	Minimum Area (sq. in.)
12	576	288
16	768	384
20	960	480

- The Airflow Descriptor is the two digits following the "B", "C", or "D" in the model number; e.g. "20" is the Airflow Descriptor.
- Areas shown for permanent filters are based on filters rated at 600 feet per minute face velocity.

– E.&O.E. – All Prices F.O.B. Our Warehouse – Subject to Change Without Notice – All Taxes Extra –

ARMSTRONG GAS FURNACES

www.armstrongair.com

TECHNICAL DATA (cont'd)

A95-2V — 95% EFFICIENT — VARIABLE SPEED AIR (cont'd)

Blower Performance Data

	Model	Motor Size (hp)	Blower Size	Heating Temp. Rise (°F)	Heating CFM @ .10" - .80" w.c.				Cooling Stage	Cooling CFM @ .10" - .80" w.c.				Speed Adjustment
					Cooling "D"	Cooling "C"	Cooling "B"	Cooling "A"		Cooling "D"	Cooling "C"	Cooling "B"	Cooling "A"	
Upflow / Horizontal	A95UH2V045B12S	1/2	10x9	35-65 High Fire	745	875	990	1005	2nd Stage	905	1075	1210	1370	+
					685	765	895	910		815	980	1120	1255	Norm
					610	695	785	810		720	885	1020	1135	-
				20-50 Low Fire	685	765	895	910	1st Stage	595	760	865	980	+
					620	705	800	820		540	660	785	890	Norm
					545	625	715	725		485	600	695	790	-
	A95UH2V070B12S	1/2	10x9	50-80 High Fire	965	1130	1255	1400	2nd Stage	860	1060	1215	1365	+
					880	990	1140	1295		810	960	1130	1265	Norm
					810	890	1030	1170		705	840	1005	1140	-
				25-55 Low Fire	940	1070	1195	1345	1st Stage	600	740	840	970	+
					830	965	1100	1235		555	665	770	855	Norm
					755	840	975	1130		500	600	680	790	-
	A95UH2V090C12S	1/2	10x9	60-90 High Fire	1060	1135	1240	1430	2nd Stage	875	1040	1210	1360	+
					960	1040	1120	1310		800	945	1100	1245	Norm
					830	935	980	1175		720	840	970	1115	-
				35-65 Low Fire	960	1040	1120	1310	1st Stage	625	710	830	950	+
					875	945	995	1195		565	670	760	860	Norm
					790	840	920	1080		520	610	685	785	-
	A95UH2V090C16S	3/4	11x11	45-75 High Fire	1230	1310	1360	1605	2nd Stage	1165	1375	1580	1770	+
					1115	1195	1255	1455		1075	1265	1440	1645	Norm
					1005	1070	1130	1335		935	1145	1320	1465	-
				30-60 Low Fire	1165	1250	1315	1520	1st Stage	840	1005	1155	1315	+
					1075	1140	1195	1405		780	915	1045	1190	Norm
					935	1030	1065	1285		690	835	955	1070	-
A95UH2V090C20S	1	11x11	40-70 High Fire	1450	1565	1725	1865	2nd Stage	1385	1595	1820	2020	+	
				1310	1450	1585	1690		1225	1465	1645	1885	Norm	
				1155	1305	1450	1545		1065	1320	1504	1675	-	
			30-60 Low Fire	1120	1265	1420	1520	1st Stage	935	1055	1275	1465	+	
				965	1120	1285	1395		835	980	1120	1335	Norm	
				865	950	1120	1235		740	870	1010	1150	-	
A95UH2V110C16S	3/4	11x11	60-90 High Fire	1210	1275	1385	1620	2nd Stage	1100	1325	1530	1760	+	
				1100	1160	1255	1455		1025	1205	1405	1565	Norm	
				1015	1055	1135	1335		920	1080	1260	1440	-	
			35-65 Low Fire	1210	1275	1385	1620	1st Stage	810	980	1085	1235	+	
				1100	1160	1255	1455		760	875	1010	1135	Norm	
				1015	1055	1135	1335		695	805	905	1040	-	

- E.&O.E. - All Prices F.O.B. Our Warehouse - Subject to Change Without Notice - All Taxes Extra -

ARMSTRONG GAS FURNACES

www.armstrongair.com

TECHNICAL DATA (cont'd)

A95-2V — 95% EFFICIENT — VARIABLE SPEED AIR (cont'd)

Blower Performance Data

	Model	Motor Size (hp)	Blower Size	Heating Temp. Rise (°F)	Heating CFM @ .10" - .80" w.c.				Cooling Stage	Cooling CFM @ .10" - .80" w.c.				Speed Adjustment
					Cooling "D"	Cooling "C"	Cooling "B"	Cooling "A"		Cooling "D"	Cooling "C"	Cooling "B"	Cooling "A"	
Upflow / Horizontal	A95UH2V110C20S	1	11x11	45-75 High Fire	1560	1760	1905	2080	2nd Stage	1310	1560	1745	1955	+
					1415	1610	1740	1930		1220	1405	1570	1795	Norm
					1285	1485	1560	1745		1075	1270	1430	1635	-
				35-65 Low Fire	1155	1325	1420	1565	1st Stage	935	1065	1245	1405	+
					1055	1200	1310	1480		865	970	1145	1280	Norm
					935	1075	1170	1315		790	890	1025	1165	-
	A95UH2V135D20S	1	11x11	55-85 High Fire	1650	1845	2000	2195	2nd Stage	1395	1640	1840	2055	+
					1495	1660	1880	1985		1290	1480	1660	1905	Norm
					1360	1500	1670	1850		1170	1330	1500	1705	-
				40-70 Low Fire	1300	1435	1630	1715	1st Stage	1015	1160	1330	1480	+
					1190	1325	1465	1620		940	1085	1200	1345	Norm
					1095	1190	1340	1430		870	965	1110	1225	-
Downflow	A95DF2V045B12S	1/2	10x9	35-65 High Fire	735	830	1015	1210	2nd Stage	895	1050	1210	1360	+
					680	750	930	1070		805	965	1105	1250	Norm
					625	695	835	1000		735	865	1000	1130	-
				20-50 Low Fire	705	780	975	1110	1st Stage	640	755	850	975	+
					655	730	890	1055		580	695	780	880	Norm
					595	670	790	960		545	645	720	795	-
	A95DF2V070B16S	3/4	11x10	35-65 High Fire	1110	1305	1430	1700	2nd Stage	1110	1340	1575	1800	+
					995	1175	1315	1520		995	1230	1420	1650	Norm
					880	1055	1170	1365		880	1085	1290	1460	-
				25-55 Low Fire	860	1020	1140	1340	1st Stage	740	915	1055	1255	+
					795	910	1030	1230		660	820	940	1120	Norm
					680	825	910	1085		575	735	850	995	-
	A95DF2V090C20S	1	11x11	40-70 High Fire	1395	1555	1695	1825	2nd Stage	1335	1600	1750	1980	+
					1275	1395	1585	1670		1225	1450	1630	1830	Norm
					1145	1265	1405	1525		1120	1270	1450	1660	-
				30-60 Low Fire	1130	1230	1365	1475	1st Stage	955	1115	1265	1450	+
					1040	1130	1250	1340		855	1005	1150	1285	Norm
					910	1025	1130	1210		750	890	1060	1170	-
A95DF2V110C20S	1	11x11	45-75 High Fire	1595	1795	1955	2140	2nd Stage	1335	1585	1790	2010	+	
				1450	1615	1795	1975		1220	1440	1630	1865	Norm	
				1290	1460	1610	1795		1100	1275	1475	1680	-	
			35-65 Low Fire	1165	1305	1465	1625	1st Stage	920	1095	1265	1440	+	
				1055	1185	1315	1475		830	965	1130	1290	Norm	
				930	1070	1180	1320		735	860	1035	1155	-	

- E.&O.E. - All Prices F.O.B. Our Warehouse - Subject to Change Without Notice - All Taxes Extra -

ARMSTRONG GAS FURNACES

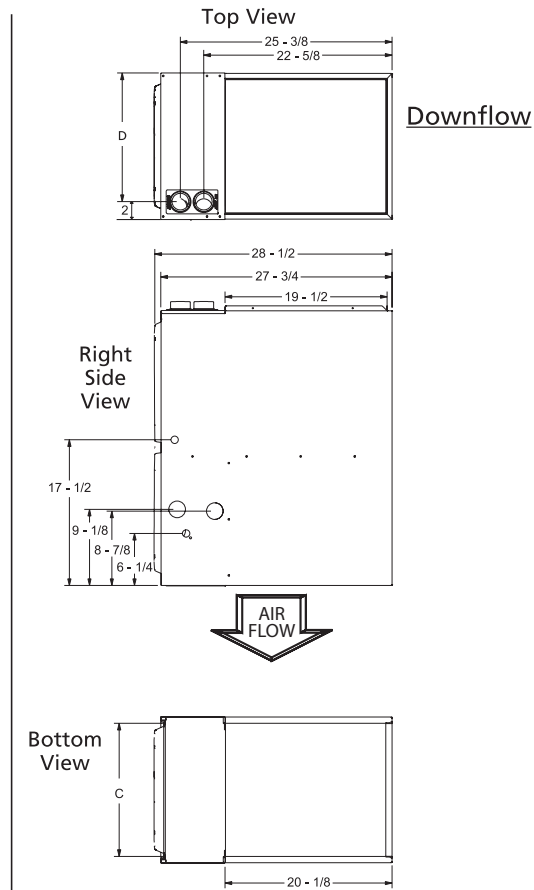
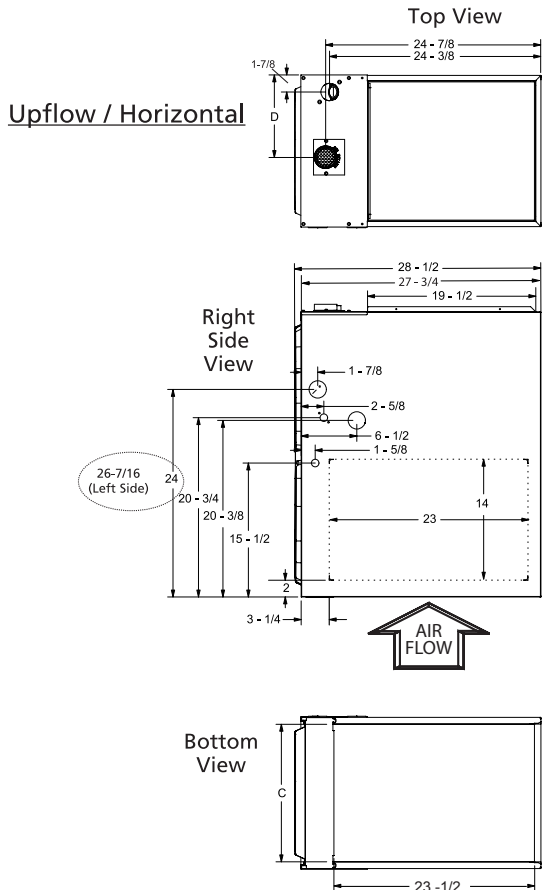
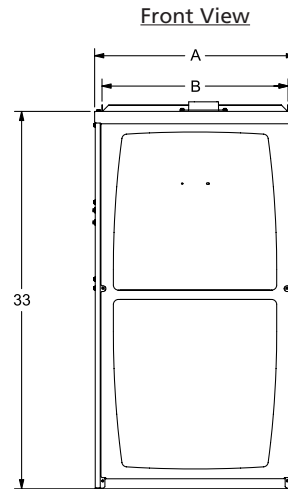
www.armstrongair.com

TECHNICAL DATA (cont'd)

A95-2V — 95% EFFICIENT — VARIABLE SPEED AIR (cont'd)

Dimensions (in.)

	Model	A	B	C	D
Upflow / Horizontal	A95UH2V045B12S	17-1/2	16-3/8	16	7-5/8
	A95UH2V070B12S	17-1/2	16-3/8	16	7-5/8
	A95UH2V090C12S	21	19-7/8	19-1/2	9-3/8
	A95UH2V090C16S	21	19-7/8	19-1/2	9-3/8
	A95UH2V090C20S	21	19-7/8	19-1/2	9-3/8
	A95UH2V110C16S	21	19-7/8	19-1/2	9-3/8
	A95UH2V110C20S	21	19-7/8	19-1/2	9-3/8
	A95UH2V135D20S	24-1/2	23-3/8	23	11-1/8
Downflow	A95DF2V045B12S	17-1/2	16-3/8	16	15-1/2
	A95DF2V070B16S	17-1/2	16-3/8	16	15-1/2
	A95DF2V090C20S	21	19-7/8	19-1/2	19
	A95DF2V110C20S	21	19-7/8	19-1/2	19



- E.&O.E. - All Prices F.O.B. Our Warehouse - Subject to Change Without Notice - All Taxes Extra -

ARMSTRONG GAS FURNACES

www.armstrongair.com

TECHNICAL DATA (cont'd)

A95-2V — 95% EFFICIENT — VARIABLE SPEED AIR (cont'd)

Accessory List

Catalog Number	Description
External Filter Rack kits	
1.841018	1 pack (16 x 25)
1.841039	10 pack (16 x 25)
Natural to LP kits	
78W94	2-Stage - 90
Return Air Base	
68W62	17.5" B Width
68W63	21.0" C Width
68W64	24.5" D Width
Downflow Combustible Flooring Base	
11M60	17.5" B Width
11M61	21.0" C Width
Night Service Kits	
84W50	Two Stage
Horizontal Suspension Kit	
51W10	80% & 90% Kit
Flush Mount Termination (90% Furnaces only) US Only	
51W11	2" & 3" Vent Version
Concentric Vent Kit (90% Furnaces only) US Only	
71M80	1-1/2" Vent Version
69M29	2" Vent Version
60L46	3" Vent Version
Concentric Vent Kit (90% Furnaces only) Canada	
44W92	1-1/2" and 2" Vent Version
44W93	3" Vent Version

For vent length and clearances to combustibles, please reference installation instructions.

ARMSTRONG GAS FURNACES

www.armstrongair.com

TECHNICAL DATA (cont'd)

A95-1D — 95% EFFICIENT

Model Number Guide

Brand	AFUE	Config	Stages	Blower	BTUH Input	Cabinet Width	Nom. CFM x 100	Heat Exch. Code	Major Revision
A	95	UH	1	D	110	C	16	A	- 01

A = Armstrong Air	95 = 95% Efficiency	UH = Upflow/Horizontal DF = Downflow	1 = 1 Stage	D = Direct Drive	Heating Input x 1000	Cabinet Width	Nom. CFM x 100	A = Aluminized Heat Exchanger	S = Stainless Steel Heat Exchanger	Numeric code
						B = 17.5" width				08 = 2 Ton add on cooling 12 = 3 Ton add on cooling 16 = 4 Ton add on cooling 20 = 5 Ton add on cooling
						C = 21.0" width				
						D = 24.5" width				

Physical and Electrical Data

	Model	Input (Btuh)	Output (Btuh)	AFUE (ICS)	Nom. Cooling Capacity	Gas Inlet (in.)	Volts/ Hz/ Phase	Max. Time Delay Breaker or Fuse	Nominal F.L.A.	Trans. (V.A.)	Approx. Shipping Weight (lbs.)
Upflow / Horizontal	A95UH1D045B08S(A)	44,000	41,000	95.0%	1.5 - 2	1/2	120 - 60 - 1	15	3.1	40	121
	A95UH1D045B12S(A)	44,000	42,000	95.0%	2 - 3	1/2	120 - 60 - 1	15	6.1	40	123
	A95UH1D070B12S(A)	66,000	64,000	95.0%	2 - 3	1/2	120 - 60 - 1	15	6.1	40	128
	A95UH1D090C12S(A)	88,000	85,000	95.0%	2 - 3	1/2	120 - 60 - 1	15	6.1	40	145
	A95UH1D090C16S(A)	88,000	85,000	95.0%	3 - 4	1/2	120 - 60 - 1	15	8.2	40	148
	A95UH1D110C16S(A)	110,000	106,000	95.0%	3 - 4	1/2	120 - 60 - 1	15	8.2	40	157
	A95UH1D110C20S(A)	110,000	106,000	95.0%	4 - 5	1/2	120 - 60 - 1	15	10.0	40	163
	A95UH1D135D20S(A)	132,000	126,000	95.0%	4 - 5	1/2	120 - 60 - 1	15	10.0	40	180
Downflow	A95DF1D045B12S(A)	44,000	42,000	95.0%	2 - 3	1/2	120 - 60 - 1	15	6.1	40	125
	A95DF1D070B12S(A)	66,000	64,000	95.0%	2 - 3	1/2	120 - 60 - 1	15	6.1	40	131
	A95DF1D090C20S(A)	88,000	85,000	95.0%	4 - 5	1/2	120 - 60 - 1	20	11.5	40	150
	A95DF1D110C20S(A)	110,000	106,000	95.0%	4 - 5	1/2	120 - 60 - 1	20	11.5	40	165

Note: For vent length and clearances to combustibles, please reference installation instructions.

- E.&O.E. - All Prices F.O.B. Our Warehouse - Subject to Change Without Notice - All Taxes Extra -

ARMSTRONG GAS FURNACES

www.armstrongair.com

TECHNICAL DATA (cont'd)

A95-1D — 95% EFFICIENT (cont'd)

Blower Performance Data

	Model	Motor Size (hp)	Blower Size	Temp Rise (F°)	Blower Speed	CFM @ external static pressure - " w.c.							
						.20	.30	.40	.50	.60	.70	.80	.90
Upflow / Horizontal	A95UH1D045B085(A)	1/5	10 x 8	40 - 70	High	1125	1090	1065	1020	945	910	790	735
					Med/High	895	870	870	825	780	740	670	575
					Med	755	725	715	675	640	585	510	460
					Low	680	660	635	605	555	505	455	390
	A95UH1D045B125(A)	1/3	10 x 8	25 - 55	High	1550	1480	1425	1355	1320	1225	1135	1025
					Med/High	1330	1295	1280	1190	1165	1110	1050	950
					Med	1150	1140	1105	1085	1030	975	920	800
					Low	1000	975	975	940	900	855	780	700
	A95UH1D070B125(A)	1/3	10 x 8	40 - 70	High	1515	1465	1410	1345	1275	1195	1105	985
					Med/High	1300	1275	1235	1195	1140	1090	995	890
					Med	1080	1065	1050	1020	975	930	850	770
					Low	880	890	875	840	830	780	730	650
	A95UH1D090C125(A)	1/3	10 x 8	50 - 80	High	1580	1525	1480	1415	1350	1260	1190	1060
					Med/High	1305	1295	1275	1220	1175	1115	1010	905
					Med	1070	1060	1055	1030	1005	955	880	795
					Low	890	890	885	860	835	785	740	655
	A95UH1D090C165(A)	1/2	10 x 10	40 - 70	High	2060	1990	1925	1830	1720	1600	1450	1300
					Med/High	1840	1805	1755	1675	1610	1520	1410	1305
					Med	1580	1550	1510	1460	1390	1300	1200	1100
					Low	1360	1365	1330	1285	1230	1165	1035	901
	A95UH1D110C165(A)	1/2	10 x 10	50 - 80	High	1940	1875	1800	1725	1630	1530	1410	1245
					Med/High	1600	1560	1495	1400	1335	1290	1190	1000
					Med	1400	1370	1330	1295	1185	1100	985	925
					Low	1170	1160	1120	1080	1030	940	790	715
A95UH1D110C205(A)	3/4	11 ½ x 10	40 - 70	High	2265	2190	2090	2000	1935	1805	1730	1645	
				Med/High	2135	2050	1945	1880	1770	1720	1590	1520	
				Med	1890	1785	1755	1685	1540	1480	1405	1340	
				Low	1730	1685	1665	1640	1590	1505	1455	1400	
A95UH1D135D205(A)	3/4	11 ½ x 10	45 - 75	High	2350	2250	2150	2030	1950	1870	1740	1650	
				Med/High	2170	2110	1970	1900	1795	1690	1520	1430	
				Med	1890	1820	1750	1710	1645	1560	1455	1360	
				Low	1665	1610	1565	1510	1435	1410	1280	1210	

Continued on next page

ARMSTRONG GAS FURNACES

www.armstrongair.com

TECHNICAL DATA (cont'd)

A95-1D — 95% EFFICIENT (cont'd)

Blower Performance Data Continued from previous page

	Model	Motor Size (hp)	Blower Size	Temp Rise (F°)	Blower Speed	CFM @ external static pressure - " w.c.							
						.20	.30	.40	.50	.60	.70	.80	.90
Downflow	A95DF1D045B12S(A)	1/3	10 x 8	25 - 55	High	1500	1450	1350	1300	1195	1140	1025	945
					Med/High	1340	1290	1235	1170	1095	1020	920	800
					Med	1165	1125	1090	1035	990	895	840	700
					Low	1015	975	920	875	840	780	695	605
	A95DF1D070B12S(A)	1/3	10 x 8	50 - 80	High	1445	1380	1315	1270	1155	1075	975	900
					Med/High	1275	1240	1190	1145	1075	1000	900	800
					Med	1065	1060	1020	995	940	875	800	675
					Low	910	900	875	870	820	765	715	615
	A95DF1D090C20S(A)	1	11 ½ x 10	35 - 65	High	2200	2160	2055	1970	1890	1775	1690	1580
					Med/High	2080	1990	1930	1855	1765	1680	1590	1485
					Med	1865	1830	1790	1705	1635	1565	1485	1405
					Low	1525	1545	1530	1500	1495	1430	1370	1270
	A95DF1D110C20S(A)	1	11 ½ x 10	50 - 80	High	2275	2200	2115	2040	1955	1860	1735	1640
					Med/High	2125	2060	1995	1940	1855	1730	1620	1535
					Med	1950	1900	1845	1795	1745	1640	1590	1480
					Low	1635	1620	1620	1590	1540	1515	1415	1330

ARMSTRONG GAS FURNACES

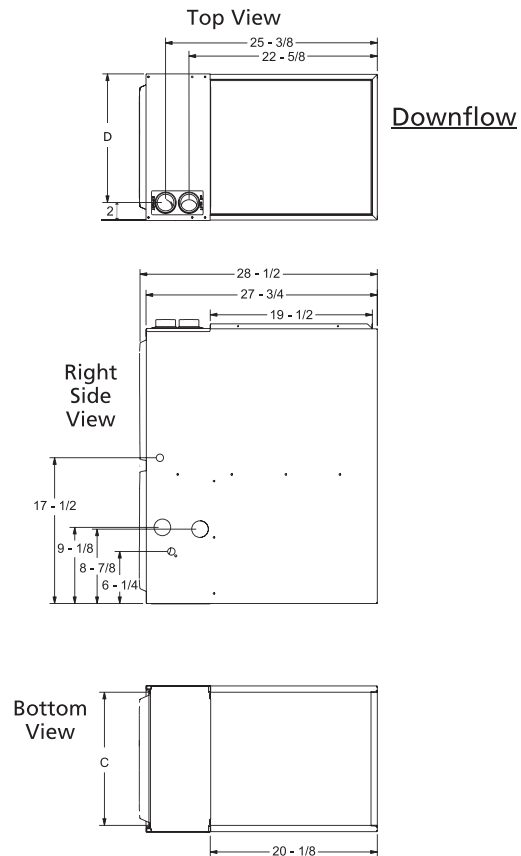
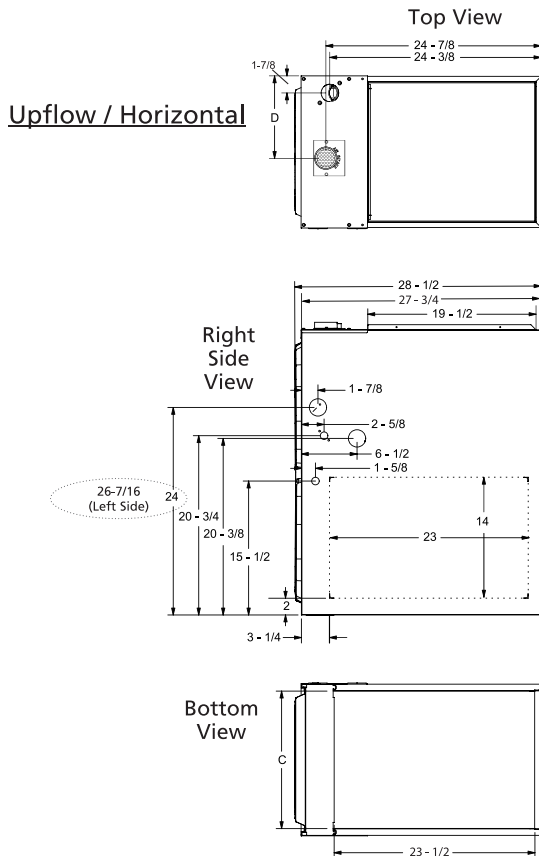
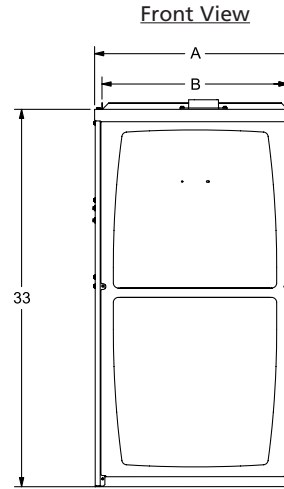
www.armstrongair.com

TECHNICAL DATA (cont'd)

A95-1D — 95% EFFICIENT (cont'd)

Dimensions (in.)

	Model	A	B	C	D
Upflow/Horizontal	A95UH1D045B08S(A)	17-1/2	16-3/8	16	7-5/8
	A95UH1D045B12S(A)	17-1/2	16-3/8	16	7-5/8
	A95UH1D070B12S(A)	17-1/2	16-3/8	16	7-5/8
	A95UH1D090C12S(A)	21	19-7/8	19-1/2	9-3/8
	A95UH1D090C16S(A)	21	19-7/8	19-1/2	9-3/8
	A95UH1D110C16S(A)	21	19-7/8	19-1/2	9-3/8
	A95UH1D110C20S(A)	21	19-7/8	19-1/2	9-3/8
	A95UH1D135D20S(A)	24-1/2	23-3/8	23	11-1/8
Downflow	A95DF1D045B12S(A)	17-1/2	16-3/8	16	15-1/2
	A95DF1D070B12S(A)	17-1/2	16-3/8	16	15-1/2
	A95DF1D090C20S(A)	21	19-7/8	19-1/2	19
	A95DF1D110C20S(A)	21	19-7/8	19-1/2	19



- E.&O.E. - All Prices F.O.B. Our Warehouse - Subject to Change Without Notice - All Taxes Extra -

ARMSTRONG GAS FURNACES

www.armstrongair.com

TECHNICAL DATA (cont'd)

A95-1D — 95% EFFICIENT (cont'd)

Accessory List

Catalog Number	Description
External Filter Rack kits	
1.841018	1 pack (16 x 25)
1.841039	10 pack (16 x 25)
Natural to LP kits	
68W75	1-Stage - 90
Return Air Base	
68W62	17.5" B Width
68W63	21.0" C Width
68W64	24.5" D Width
Downflow Combustible Flooring Base	
11M60	17.5" B Width
11M61	21.0" C Width
Night Service Kits	
68W80	Single Stage
Horizontal Suspension Kit	
51W10	80% & 90% Kit
Flush Mount Termination (90% Furnaces only) US Only	
51W11	2" & 3" Vent Version
Concentric Vent Kit (90% Furnaces only) US Only	
71M80	1-1/2" Vent Version
69M29	2" Vent Version
60L46	3" Vent Version

For vent length and clearances to combustibles, please reference installation instructions.

ARMSTRONG GAS FURNACES

www.armstrongair.com

TECHNICAL DATA (cont'd)

A93-1D — 93% EFFICIENT

Model Number Guide

Brand	AFUE	Config	Stages	Blower	BTUH Input	Cabinet Width	Nom. CFM x 100	Heat Exch. Code	Major Revision
A	93	UH	1	D	110	C	16	A	-01

A = Armstrong Air	93 = 93% Efficiency	UH = Upflow/Horizontal DF = Downflow	1 = 1 Stage	D = Direct Drive	Heating Input x 1000	C = 21.0" width	16 = 4 Ton add on cooling	A = Aluminized Heat Exchanger	-01 = Numeric code
						B = 17.5" width	08 = 2 Ton add on cooling		
						D = 24.5" width	12 = 3 Ton add on cooling		
							20 = 5 Ton add on cooling		

Physical and Electrical Data

	Model	Input (Btuh)	Output (Btuh)	AFUE (ICS)	Nom. Cooling Capacity	Gas Inlet (in.)	Volts/Hz/Phase	Max. Time Delay Breaker or Fuse	Nominal F.L.A.	Trans. (V.A.)	Approx. Shipping Weight (lbs.)
Upflow / Horizontal	A93UH1D045B08A	44,000	41,000	93.0%	1.5 - 2	1/2	120 - 60 - 1	15	3.1	40	120
	A93UH1D045B12A	44,000	42,000	93.0%	2.5 - 3	1/2	120 - 60 - 1	15	6.1	40	122
	A93UH1D070B08A	66,000	62,000	93.0%	1.5 - 2	1/2	120 - 60 - 1	15	3.1	40	125
	A93UH1D070B12A	66,000	61,000	93.0%	2.5 - 3	1/2	120 - 60 - 1	15	6.1	40	127
	A93UH1D090C12A	88,000	83,000	93.0%	2 - 3	1/2	120 - 60 - 1	15	6.1	40	143
	A93UH1D090C16A	88,000	83,000	93.0%	3 - 4	1/2	120 - 60 - 1	15	8.2	40	146
	A93UH1D110C16A	110,000	104,000	93.0%	3 - 4	1/2	120 - 60 - 1	15	8.2	40	155
	A93UH1D110C20A	110,000	104,000	93.0%	4 - 5	1/2	120 - 60 - 1	15	10.0	40	161
	A93UH1D135D20A	135,000	124,000	93.0%	4 - 5	1/2	120 - 60 - 1	15	10.0	40	178
Downflow	A93DF1D045B12A	44,000	42,000	93.0%	2.5 - 3	1/2	120 - 60 - 1	15	6.1	40	124
	A93DF1D070B12A	66,000	62,000	93.0%	2.5 - 3	1/2	120 - 60 - 1	15	6.1	40	129
	A93DF1D090C16A	88,000	84,000	93.0%	3 - 4	1/2	120 - 60 - 1	15	8.2	40	143
	A93DF1D110C20A	110,000	104,000	93.0%	4 - 5	1/2	120 - 60 - 1	15	11.5	40	162

Note: For vent length and clearances to combustibles, please reference installation instructions.

ARMSTRONG GAS FURNACES

www.armstrongair.com

TECHNICAL DATA (cont'd)

A93-1D — 93% EFFICIENT (cont'd)

Blower Performance Data

	Model	Motor Size (hp)	Blower Size	Temp Rise (F°)	Blower Speed	CFM @ external static pressure - " w.c.							
						.20	.30	.40	.50	.60	.70	.80	.90
Upflow / Horizontal	A93UH1D045B08A	1/5	10 x 8	40 - 70	Hi	1125	1090	1065	1020	945	910	790	735
					Med/Hi	895	870	865	825	780	740	670	575
					Med	755	725	715	675	640	585	510	460
					Low	680	660	635	605	555	505	455	390
	A93UH1D045B12A	1/3	10 x 8	25 - 55	Hi	1550	1480	1425	1355	1320	1225	1135	1025
					Med/Hi	1330	1295	1280	1190	1165	1110	1050	950
					Med	1150	1140	1105	1085	1030	975	920	800
					Low	1000	975	970	940	900	855	780	700
	A93UH1D070B08A	1/5	10 x 8	50 - 80	Hi	1125	1090	1065	1020	945	910	790	735
					Med/Hi	895	870	865	825	780	740	670	575
					Med	755	725	715	675	640	585	510	460
					Low	680	660	635	605	555	505	455	390
	A93UH1D070B12A	1/3	10 x 8	40 - 70	Hi	1535	1440	1405	1340	1255	1165	1060	955
					Med/Hi	1340	1300	1255	1200	1125	1080	990	895
					Med	1150	1110	1075	1045	995	935	870	750
					Low	1025	1000	975	945	875	820	750	660
	A93UH1D090C12A	1/3	10 x 8	50 - 80	Hi	1565	1525	1485	1431	1365	1295	1200	1060
					Med/Hi	1335	1300	1295	1260	1210	1155	1065	955
					Med	1145	1135	1110	1090	1035	995	930	820
					Low	970	965	960	940	900	860	745	695
	A93UH1D090C16A	1/2	10 x 10	40 - 70	Hi	1925	1850	1790	1700	1610	1540	1415	1270
					Med/Hi	1675	1640	1575	1540	1455	1365	1265	1165
					Med	1405	1400	1395	1350	1295	1225	1125	1060
					Low	1205	1175	1170	1140	1100	1030	980	900
A93UH1D110C16A	1/2	10 x 10	50 - 80	Hi	1935	1885	1830	1750	1660	1540	1420	1290	
				Med/Hi	1675	1660	1585	1565	1485	1380	1290	1175	
				Med	1455	1410	1385	1320	1280	1230	1140	1045	
				Low	1230	1200	1190	1165	1105	1060	945	850	
A93UH1D110C20A	3/4	11½ X 10	40 - 70	Hi	2370	2270	2185	2115	2020	1910	1815	1680	
				Med/Hi	2180	2120	1995	1955	1865	1765	1675	1575	
				Med	1950	1885	1835	1760	1721	1630	1555	1440	
				Low	1670	1635	1605	1545	1485	1425	1330	1275	
A93UH1D135D20A	3/4	11½ X 10	45 - 75	Hi	2350	2260	2135	2095	1980	1885	1810	1690	
				Med/Hi	2170	2100	2050	1950	1875	1820	1690	1620	
				Med	1945	1915	1825	1805	1720	1680	1580	1505	
				Low	1710	1675	1655	1575	1540	1480	1405	1360	

Continued on next page

ARMSTRONG GAS FURNACES

www.armstrongair.com

TECHNICAL DATA (cont'd)

A93-1D — 93% EFFICIENT (cont'd)

Blower Performance Data

Continued from previous page

	Model	Motor Size (hp)	Blower Size	Temp Rise (F°)	Blower Speed	CFM @ external static pressure - " w.c.							
						.20	.30	.40	.50	.60	.70	.80	.90
Downflow	A93DF1D045B12A	1/3	10 x 8	25 - 55	Hi	1500	1450	1350	1300	1195	1140	1025	945
					Med/Hi	1340	1290	1235	1170	1095	1020	920	800
					Med	1165	1125	1090	1035	990	895	840	700
					Low	1015	975	920	875	840	780	695	605
	A93DF1D070B12A	1/3	10 x 8	50 - 80	Hi	1405	1355	1305	1270	1175	1105	1040	920
					Med/Hi	1255	1225	1165	1110	1080	1000	925	825
					Med	1055	1045	1010	975	925	855	790	680
					Low	930	900	890	835	815	745	670	560
	A93DF1D090C16A	1/2	10 x 10	40 - 70	Hi	2065	2010	1930	1845	1745	1620	1450	1320
					Med/Hi	1815	1760	1705	1645	1525	1460	1340	1130
					Med	1525	1510	1495	1450	1380	1315	1220	1010
					Low	1285	1275	1235	1215	1185	1110	1020	920
	A93DF1D110C20A	1	11½ X 10	50 - 80	Hi	2285	2220	2185	2045	1965	1820	1625	1455
					Med/Hi	2120	2015	1950	1830	1710	1610	1510	1390
					Med	1850	1770	1750	1680	1575	1495	1400	1350
					Low	1540	1535	1530	1500	1445	1370	1315	1210

ARMSTRONG GAS FURNACES

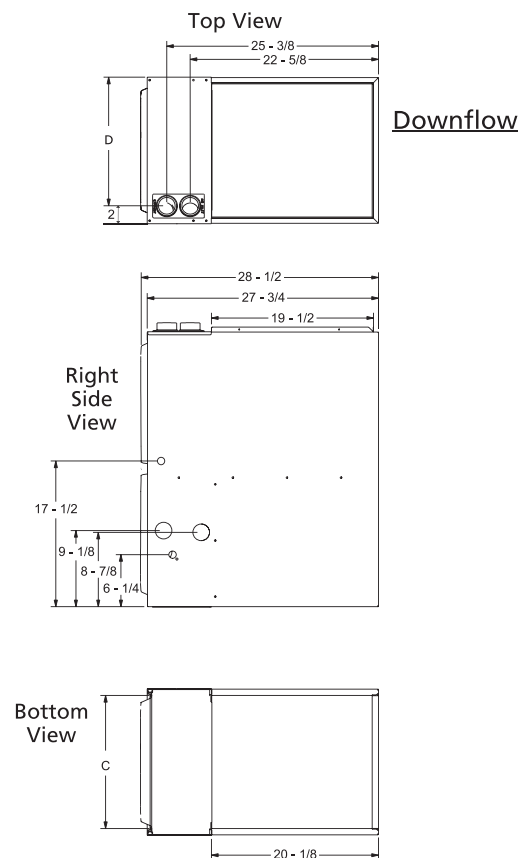
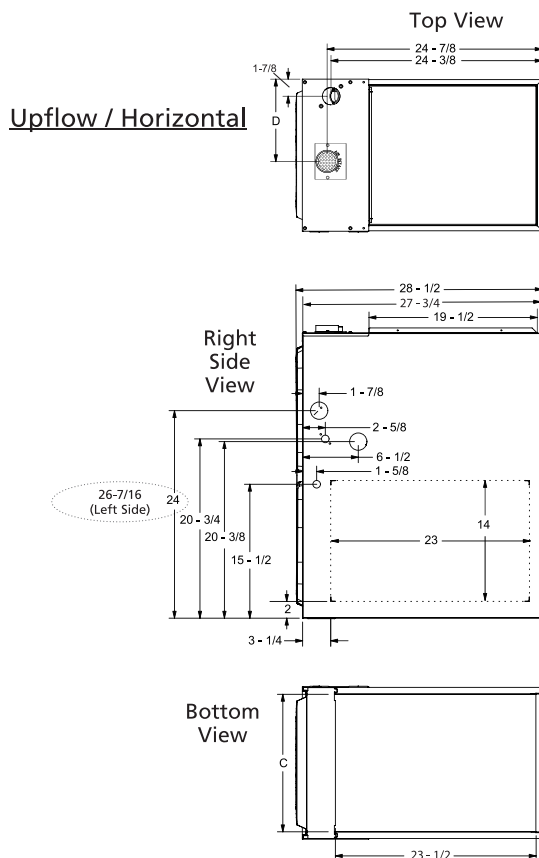
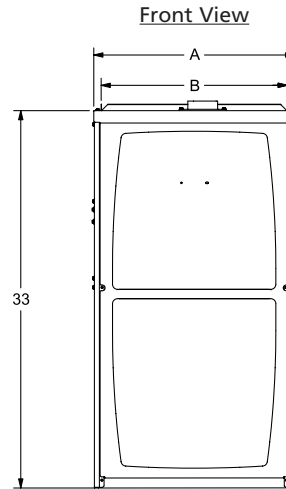
www.armstrongair.com

TECHNICAL DATA (cont'd)

A93-1D — 93% EFFICIENT (cont'd)

Dimensions (in.)

	Model	A	B	C	D
Upflow/Horizontal	A93UH1D045B08A	17-1/2	16-3/8	16	7-5/8
	A93UH1D045B12A	17-1/2	16-3/8	16	7-5/8
	A93UH1D070B08A	17-1/2	16-3/8	16	7-5/8
	A93UH1D070B12A	17-1/2	16-3/8	16	7-5/8
	A93UH1D090C12A	21	19-7/8	19-1/2	9-3/8
	A93UH1D090C16A	21	19-7/8	19-1/2	9-3/8
	A93UH1D110C16A	21	19-7/8	19-1/2	9-3/8
	A93UH1D110C20A	21	19-7/8	19-1/2	9-3/8
	A93UH1D135D20A	24-1/2	23-3/8	23	11-1/8
Downflow	A93DF1D045B12A	17-1/2	16-3/8	16	15-1/2
	A93DF1D070B12A	17-1/2	16-3/8	16	15-1/2
	A93DF1D090C16A	21	19-7/8	19-1/2	19
	A93DF1D110C20A	21	19-7/8	19-1/2	19



- E.&O.E. - All Prices F.O.B. Our Warehouse - Subject to Change Without Notice - All Taxes Extra -

ARMSTRONG GAS FURNACES

www.armstrongair.com

TECHNICAL DATA (cont'd)

A93-1D — 93% EFFICIENT (cont'd)

Accessory List

Catalog Number	Description
External Filter Rack kits	
1.841018	1 pack (16 x 25)
1.841039	10 pack (16 x 25)
Natural to LP kits	
68W75	1-Stage - 90
Return Air Base	
68W62	17.5" B Width
68W63	21.0" C Width
68W64	24.5" D Width
Downflow Combustible Flooring Base	
11M60	17.5" B Width
11M61	21.0" C Width
Night Service Kits	
68W80	Single Stage
Horizontal Suspension Kit	
51W10	80% & 90% Kit
Flush Mount Termination (90% Furnaces only) US Only	
51W11	2" & 3" Vent Version
Concentric Vent Kit (90% Furnaces only) US Only	
71M80	1-1/2" Vent Version
69M29	2" Vent Version
60L46	3" Vent Version

For vent length and clearances to combustibles, please reference installation instructions.